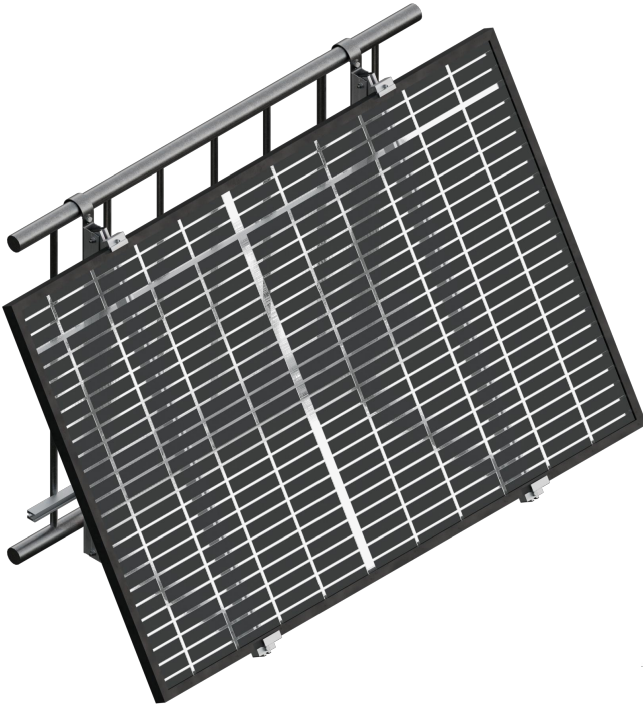


Installations

Select 

Balcony



Wall

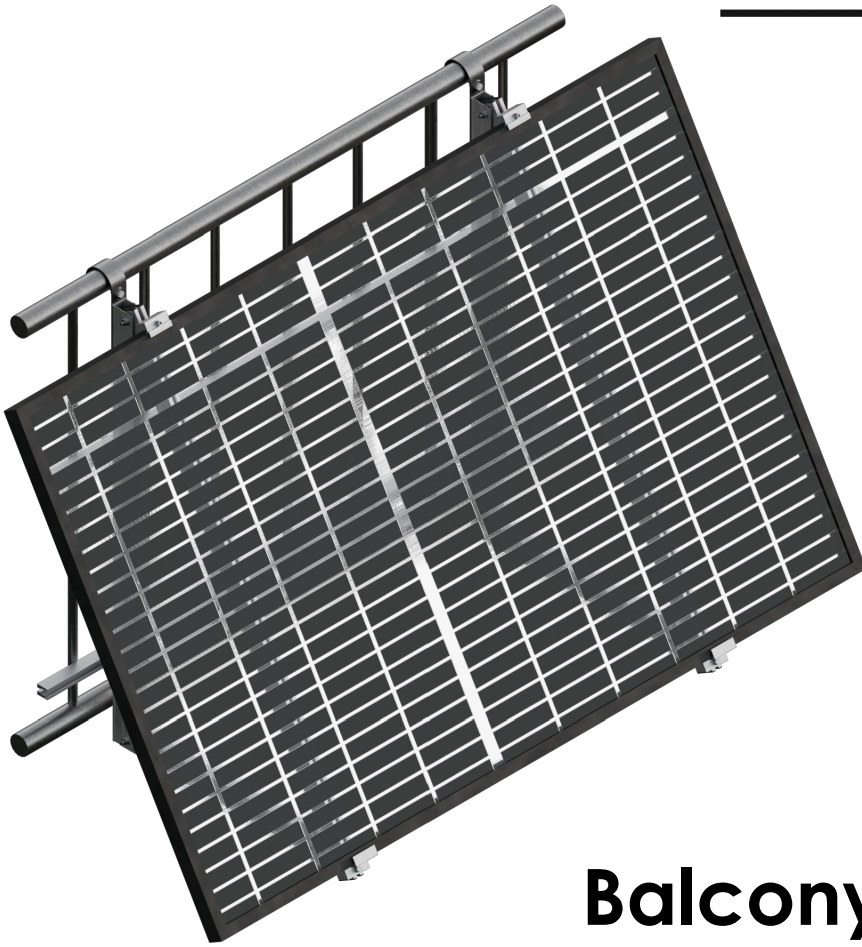


Flat roof

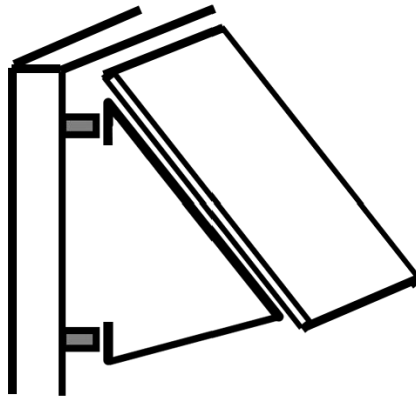


Sunfer reserves the right to make changes to the product and its associated documents at any time. The images in this document are for illustration only and may differ from the products provided.

66H



Balcony



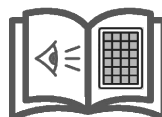
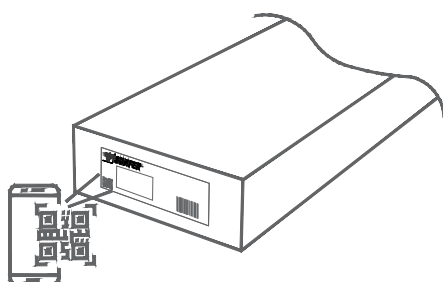
CONTENTS

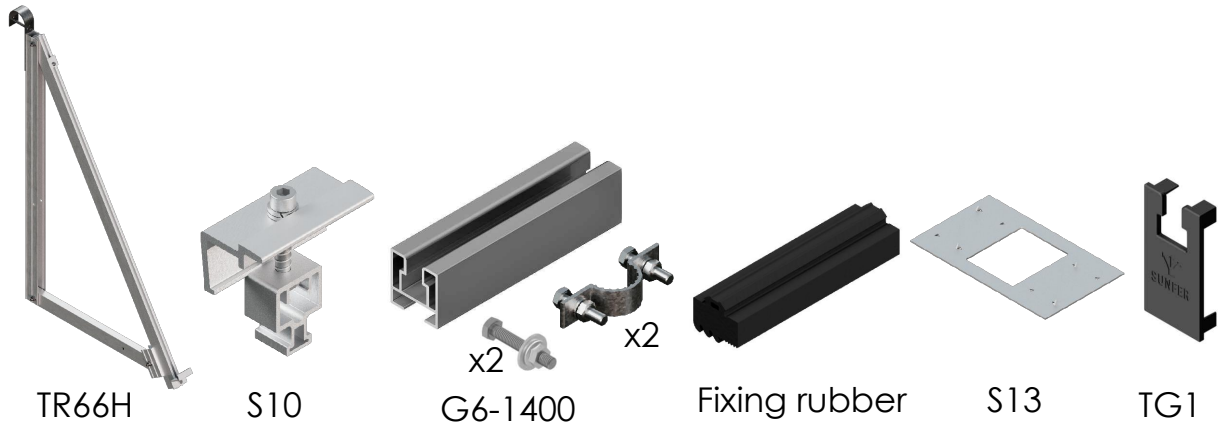
- 1. General information**
- 2. Kit contents**
- 3. Triangle assembly**
- 4. Maximum admissible loads**
- 5. Assembly video**
- 6. Certificates and guarantee**



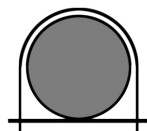
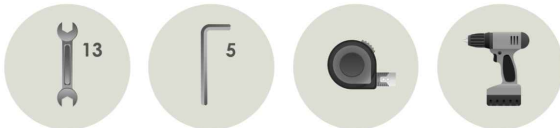
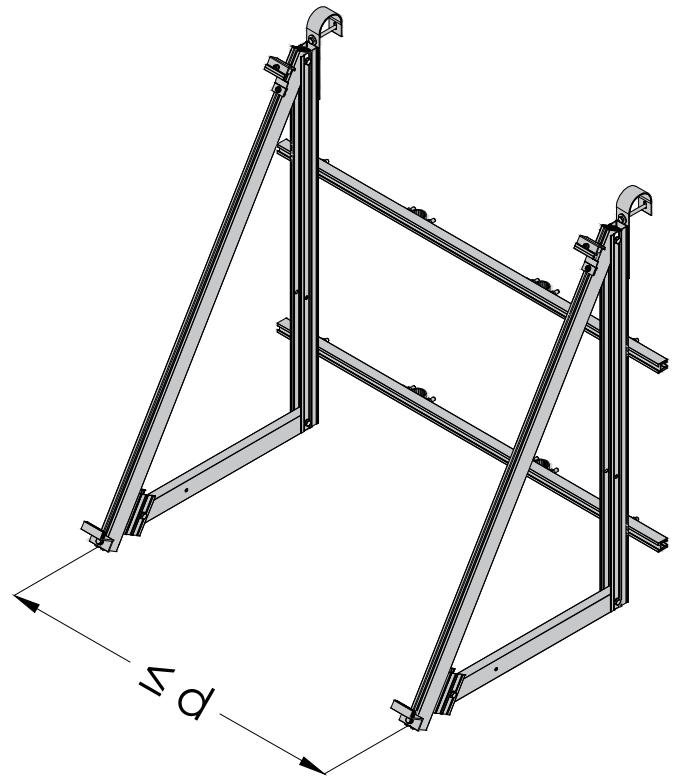
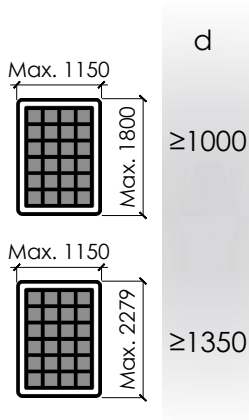
General information and recommendations **ENG**

- All installation instructions and product specifications provided must be adhered to.
- Check the façade's condition and its carrying capacity. The photovoltaic installation's facultative management must guarantee beforehand that the installation surface, as well as the building's static, can resist the additional loads originated by the installation.
- The surface must be clean and dry. Any irregularities must be corrected or eliminated.
- Check the weathertightness of the mount once fastened.
- Place solar panels such that they are distributed symmetrically along the support, leaving equal overhangs at each end.
- Clamps must not be tightened using impact drivers.
- Check that the support attachment points are compatible with the solar panel manufacturer's specifications.
- Uninstallation must be carried out in reverse order from the installation.
- During the shipping of products take extreme care to maintain the integrity of the packaging. Store in a dry, well-ventilated area. Minimize exposure to large temperature differences and humidity. Avoid outdoor storage. Avoid sources of dripping water, puddles, splashing, or any other contact with water in the storage area. If the product becomes wet, immediately dry and clean as well as possible. Do not leave the product directly on the floor or ground where it may attract moisture. Store on the shipment's original pallet or on shelves.
- We reserve the right to make changes to our products at any moment without prior warning if, from our point of view, the changes are necessary for the improvement of the product. All illustrations in plans and catalogues are for example only and therefore may differ from the actual product provided.
- Aluminum components can be delivered in different finishes without compromising the structural solution. Available finishes: raw/anodised/lacquered.





2	2	2	2	2	4
---	---	---	---	---	---



Clamp



EN AW 6005A T6 aluminum profiles



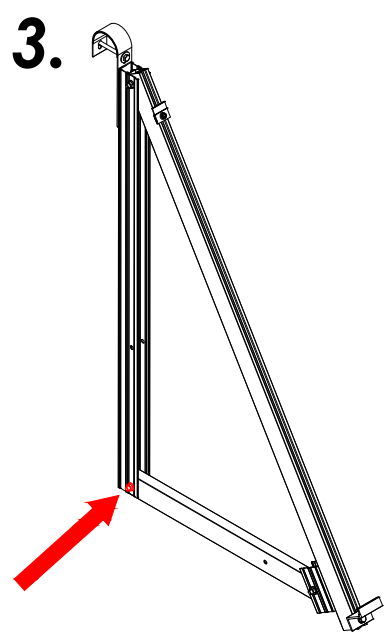
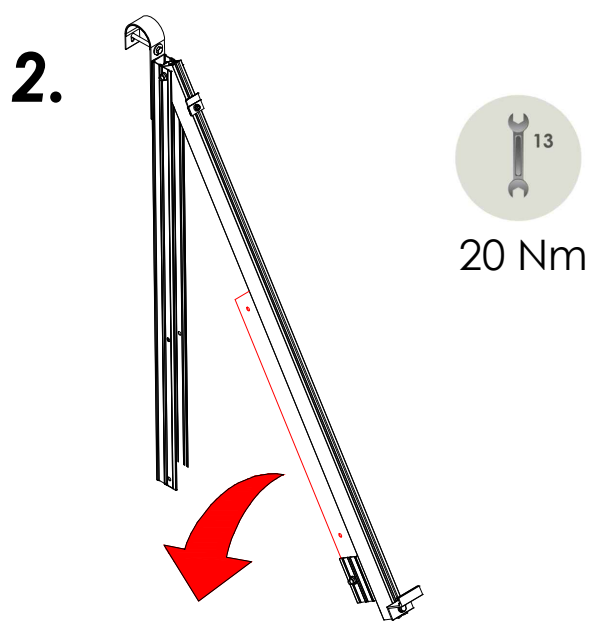
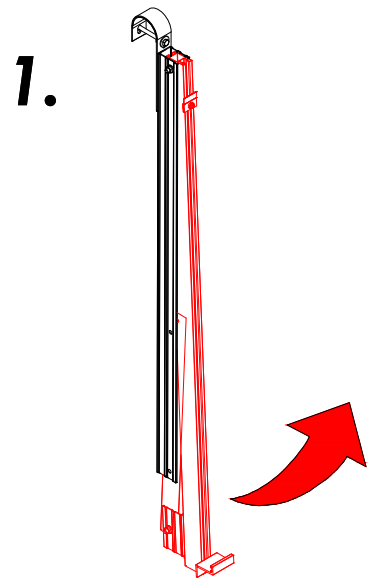
A2-70 stainless steel fasteners



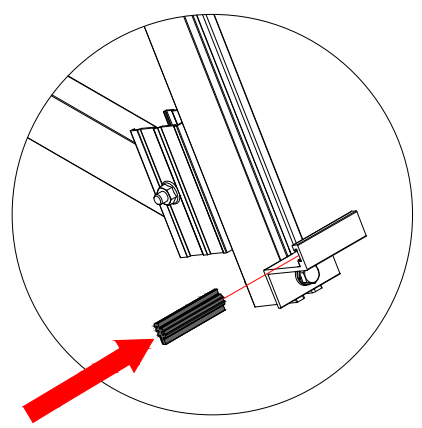
Sunfer reserves the right to make changes to the product and its associated documents at any time. The images in this document are for illustration only and may differ from the products provided.

66H-EN

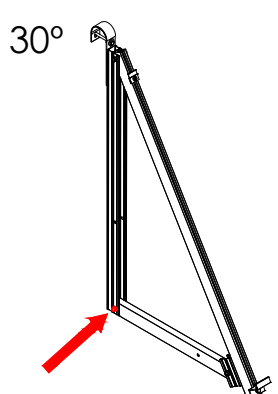
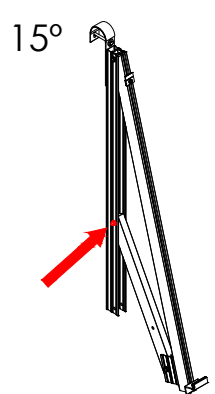
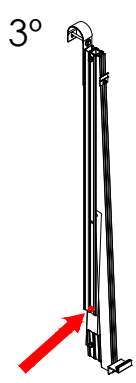
Triangles assembly



⚠ Place the fixing rubbers corresponding to the selected module thickness on the safety clamps. (See detail on module assembly page)

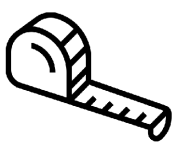


Depending on the desired inclination of the triangle, it must be screwed in a certain position marked by the existing holes in the upright and in the bottom chord.



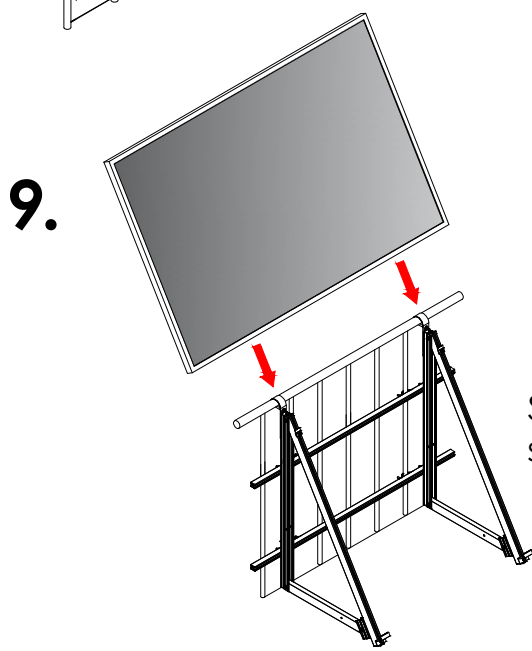
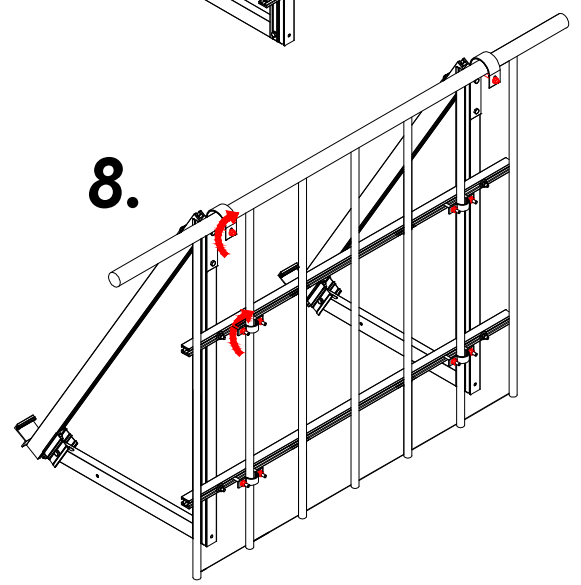
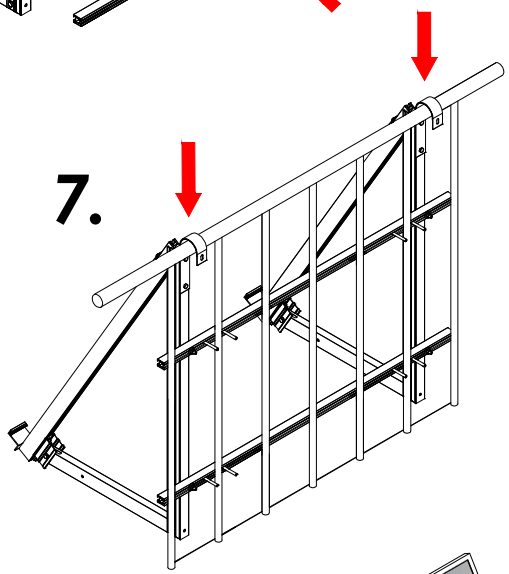
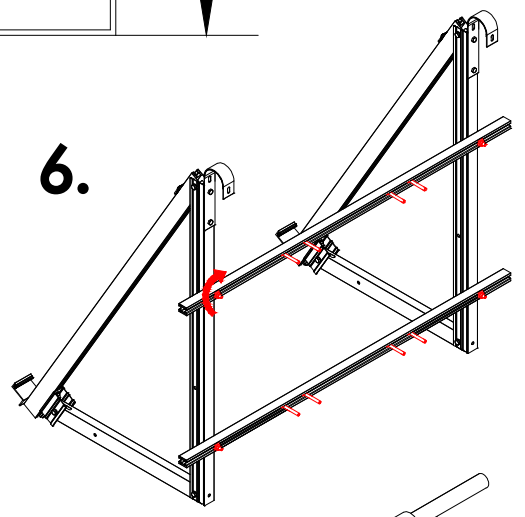
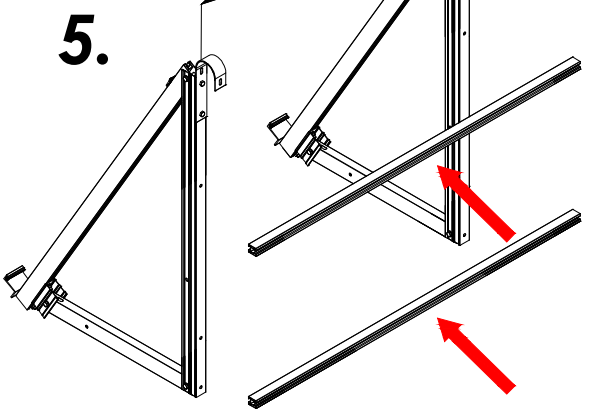
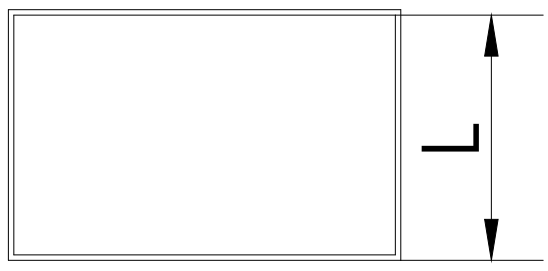
Sunfer reserves the right to make changes to the product and its associated documents at any time. The images in this document are for illustration only and may differ from the products provided.

4. Measure the distance between the end of the module and the start of the rear flap of the module on the short side. Then position and tighten the fixing clip on both triangles to the distance obtained from the lower safety clamp.



20 Nm

d

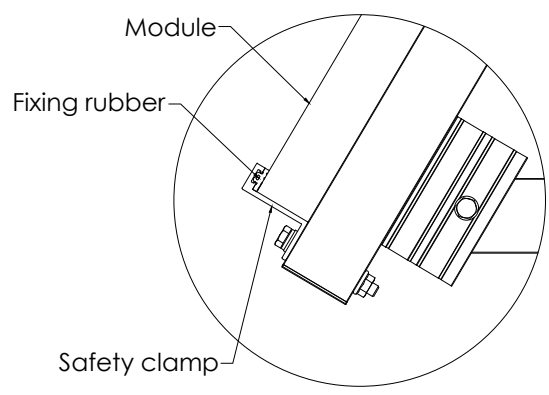


Snap module mounting on the safety clamp.

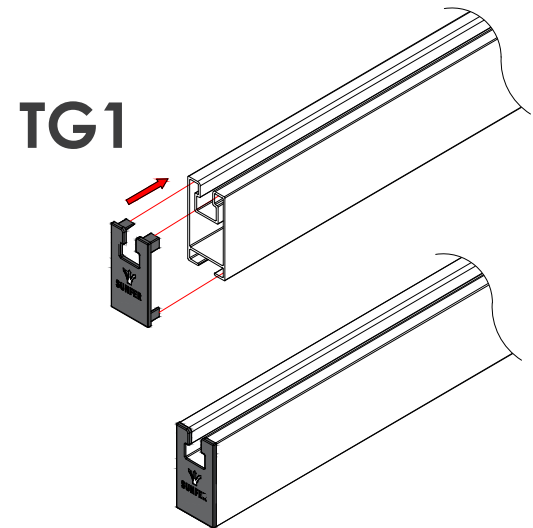
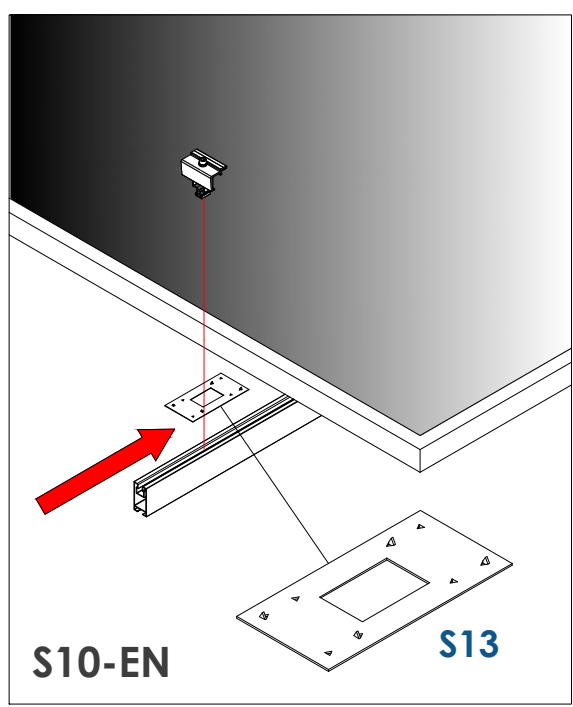
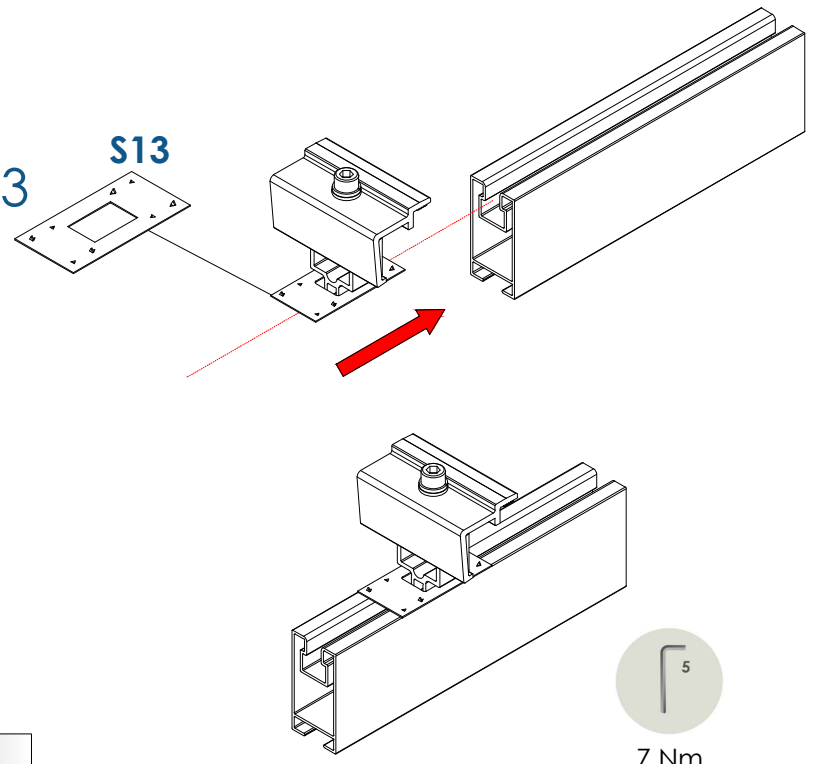
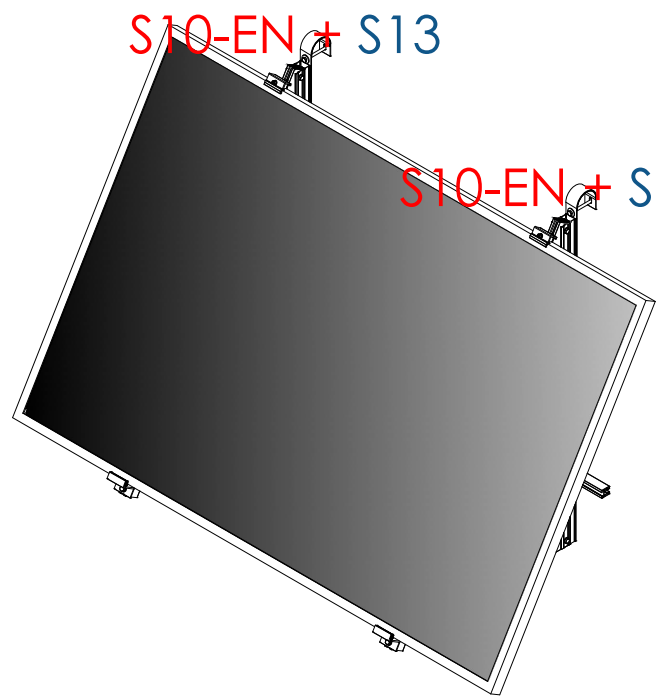
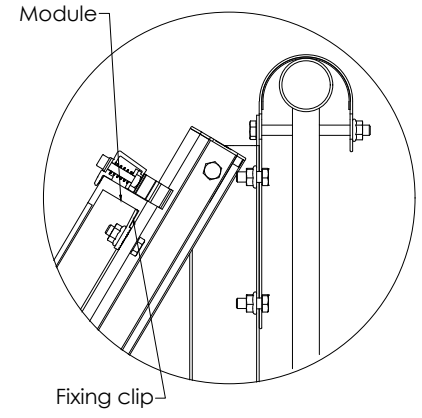
Sunfer reserves the right to make changes to the product and its associated documents at any time. The images in this document are for illustration only and may differ from the products provided.



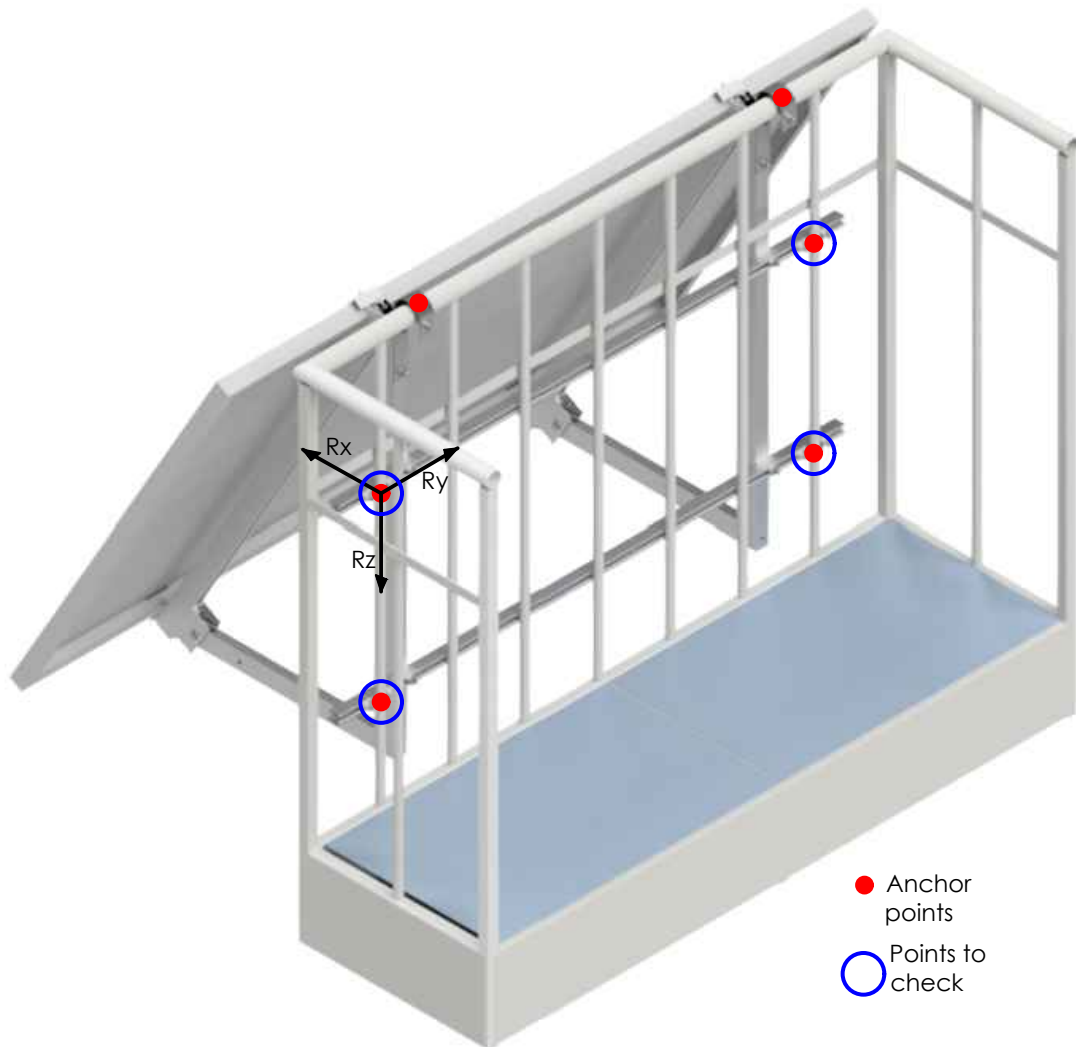
Anchor detail
module - safety clamp



Anchor detail
module rear fin - fixing clip



Sunfer reserves the right to make changes to the product and its associated documents at any time. The images in this document are for illustration only and may differ from the products provided.



Maximum wind speed: 150 km/h



Reactions for each of the points to check

Rx (kg)	Ry (kg)	Rz (kg)
180	15	80

Sunfer reserves the right to make changes to the product and its associated documents at any time. The images in this document are for illustration only and may differ from the products provided.



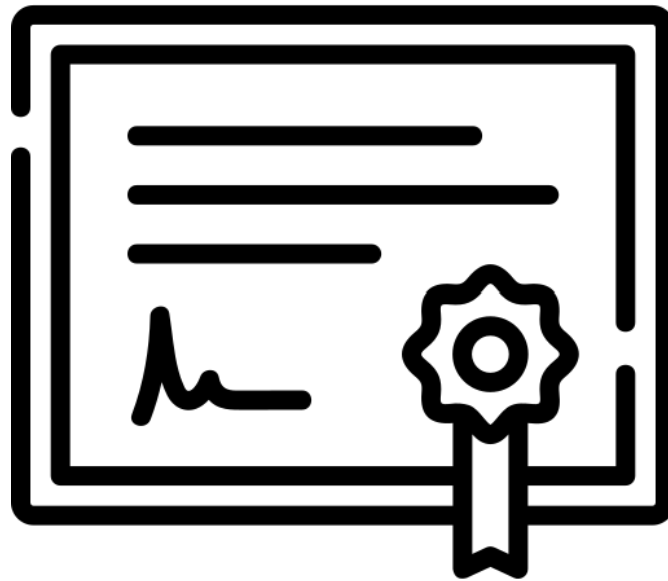
66H-EN

Installation Video



Sunfer reserves the right to make changes to the product and its associated documents at any time. The images in this document are for illustration only and may differ from the products provided.





- ISO 9001 certificate
- ISO 14001 certificate
- CE marking
- Guarantee

Sunfer reserves the right to make changes to the product and its associated documents at any time. The images in this document are for illustration only and may differ from the products provided.



This is a translation of the certificate ES13/13899

The management system of

SUNFER ESTRUCTURAS, S.L.U.

Camí de la Dula, s/n, 46687 Albalat de la Ribera, Valencia

has been assessed and certified as meeting the requirements of

ISO 9001:2015

For the following activities

Design, manufacture and sale of solar energy structures.

This certificate is valid from 19 May 2023 until 8 April 2025 and remains valid subject to satisfactory surveillance audits.

Issue 6. Certified with SGS since 8 April 2013

Last certificate expiry date 8 April 2022

Recertification audit date 31 March 2022

Authorised by

SGS International Certification Services Iberica, S.A.U.

C/Trespaderne, 29. 28042 Madrid. España

t +34 91 313 8115 - www.sgs.com



This document is an authentic electronic certificate for Client' business purposes use only. Printed version of the electronic certificate are permitted and will be considered as a copy. This document is issued by the Company subject to SGS General Conditions of certification services available on [Terms and Conditions](#) | [SGS](#). Attention is drawn to the limitation of liability, indemnification and jurisdictional clauses contained therein. This document is copyright protected and any unauthorized alteration, forgery or falsification of the content or appearance of this document is unlawful.



Certificate ES22/211172

The management system of

SUNFER ESTRUCTURAS, S.L.

Camí de la Dula, s/n
46687 Albalat de la Ribera (Valencia)

has been assessed and certified as meeting the requirements of

ISO 14001:2015

For the following activities:

Design, manufacture and sale of solar energy structures.

in/ from the following sites

Camí de la Dula, s/n - 46687 Albalat de la Ribera (Valencia)

This certificate is valid from
22 April 2022 until 22 April 2025.
Issue 1.

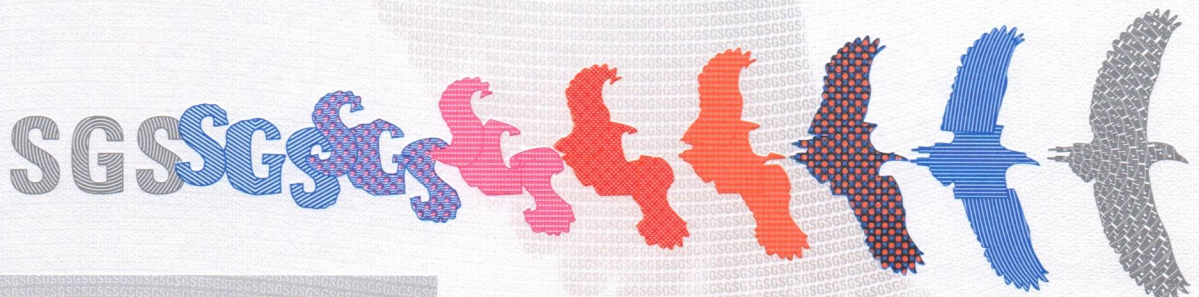


Authorized by

Certification Management

SGS INTERNATIONAL CERTIFICATION SERVICES IBERICA, S.A.U.
C/Trespaderme, 29. 28042 Madrid. España.
t 34 91 313 8115 www.sgs.com

Page 1 of 1



Structural and Anticorrosion Guarantee

All SUNFER mounting systems are manufactured under strict production control in our factory, as are our raw materials, which are periodically tested to ensure quality. It is for these reasons we are able to offer the following guarantee for our products:

25 year Structural Guarantee

Anticorrosion Guarantee per the below table

Materials	NON-HARSH environment (1) Distance to coastline greater than 5 Km	HARSH or MARINE environment Distance to coastline less than 5 Km
Raw Aluminum	Fifteen (15) years	Five (5) years
Anodized Aluminum	Twenty-five (25) years	Twenty-five (25) years

Table 1.

(1) Non-exhaustive list of zones considered to be harsh environments:

- a. Industrial zones with emissions that include: sulphur dioxide, nitrogen oxides, sulphuric acid, sulphuric compounds, chlorine, or other volatile gases; 5 km safety distance.
- b. Electric generating stations that use the following fuels: coal, natural gas, petroleum; 5 km safety distance.
- c. Petrochemical plants; 5 km safety distance.
- d. Cellulose factories; 5 km safety distance
- e. Wastewater treatment facilities: 500 m safety distance.

In these zones it is always necessary to utilize anodized aluminum if inside of the minimum safety radius indicated above.

The warranty of the adhesive in reference 07.1H and S07.1 is ten (10) years. The warranty of the 2-sided adhesive tape of the S07.1 anchor covers the product supplied by Sunfer and can be applied provided that the breakage is caused by the tearing off of the profile with respect to the adhesive tape, in the event that the breakage is caused by the tearing off of the adhesive tape from the roofing, it will be considered a faulty assembly on site.

Mixed galvanised steel and raw aluminium supports such as, for example: Elevated, Monopoles, Car parks:
Environments C3 fifteen (15) years guarantee.
Environments C4-C5 five (5) years.

Mixed galvanised steel and anodised aluminium supports, such as: Elevated, Monopoles, Car parks:
Environments C3 guarantee twenty-five (25) years.
Environments C4-C5 fifteen (15) years.

This guarantee applies to orders supplied from 3rd January, 2023 on. Orders delivered before this date shall be governed by the guarantee that was in force at the time that the order was supplied.

The guarantee covers the final installation, and applies directly to the end user of the structure. Guarantees are managed between SUNFER and commercial distributors, so if an end user needs to invoke a guarantee, they must contact the distributor that supplied the material, and the distributor will coordinate with SUNFER Customer Service. The period of coverage of the guarantee begins upon the date that the delivery of the material is received by the end user, but will be repealed if the client does not comply with the payment terms stated in the invoice.

To invoke the guarantee, the following documentation must be produced:

- Sales invoice.
- Date system was put in service.
- Information of end user (name, address, distributor, etc).
- General photographs showing the entire system as installed.
- Installer's final work plans/drawings.
- Detailed photos of:
 - Fastening of the system to the roof, which shows the distance between mounting points.
 - The structure mounted without panels attached.
 - A rear view of the structure (from roof ridge if coplanar).





- Plan/drawing of the affected area which shows distances between mounting points.

Coverage and Exclusions

Coverage

This guarantee covers the replacement and shipping of the defective components or of the entire system if necessary, with no charge. In the case of a replacement not being available, a suitably similar replacement will be provided.

The guarantee is limited to replacement of defective products. The following costs, indirectly associated with the return process, will not be compensated: disassembly or any consequential, supplementary, or related damages, including lost profits or other indirect costs.

The guarantee covers all metallic elements included in a SUNFER structure.

Exclusions

Any issues or defects caused by or related to the following shall be excluded from the guarantee:

- Inadequate installations which did not follow the installation instructions provided by SUNFER.
- Incorrect fastener tightening torques (overtight or undertight).
- Modifications or installations other than those recommended by SUNFER.
- Installation of additional homemade or third-party elements to the structures supplied by SUNFER.
- Inadequate handling of products during the installation.
- Damage to the product after delivery, or from improper storage of the product.
- Any defect which is purely aesthetic in nature and which does not affect the structural safety of the product.
- Installations in areas whose wind and snow loads exceed those indicated in the datasheets of the product.
- Structures installed outside of the safe zone indicated in the installation manual.
- Inadequate maintenance. See the Maintenance Manual.
- Fires or exposure to temperatures above 110 °C.
- Problems or defects caused by corrosive agents not initially considered (1).
- Natural disasters such as earthquakes, hurricanes, floods, tornados, cyclones, mudslides, avalanches, or volcanic eruptions.

For structures not provided with a method of fastening to a surface, SUNFER denies responsibility in the event of collapse or failure due to insufficient fastening or poor installation.

Guarantor, Execution of guarantee

The guarantor is SUNFER ESTRUCTURAS S.L.U. located at Camino de la Dula s/n 46687, Albalat de la Ribera, Valencia, Spain.

The entitlements afforded by this guarantee are non-transferable to third parties.

Regarding the guarantee and any disputes related to it, the law currently in force in Spain shall apply.



ES22/211172 ES13/13899

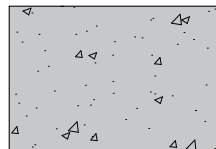
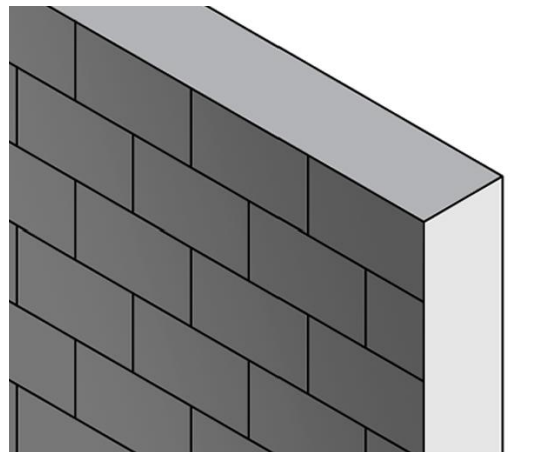
SUNFER

Solar Mounting Systems

66H-EN



Wall



Concrete



CONTENTS

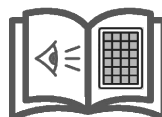
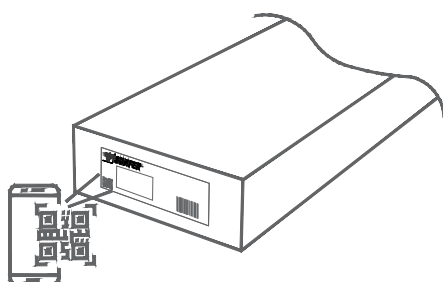
- 1. General information**
- 2. Kit contents**
- 3. Triangle assembly**
- 4. Maximum admissible loads**
- 5. Assembly video**
- 6. Certificates and guarantee**





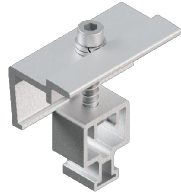
General information and recommendations **ENG**

- All installation instructions and product specifications provided must be adhered to.
- Check the façade's condition and its carrying capacity. The photovoltaic installation's facultative management must guarantee beforehand that the installation surface, as well as the building's static, can resist the additional loads originated by the installation.
- The surface must be clean and dry. Any irregularities must be corrected or eliminated.
- Check the weathertightness of the mount once fastened.
- Place solar panels such that they are distributed symmetrically along the support, leaving equal overhangs at each end.
- Clamps must not be tightened using impact drivers.
- Check that the support attachment points are compatible with the solar panel manufacturer's specifications.
- Uninstallation must be carried out in reverse order from the installation.
- During the shipping of products take extreme care to maintain the integrity of the packaging. Store in a dry, well-ventilated area. Minimize exposure to large temperature differences and humidity. Avoid outdoor storage. Avoid sources of dripping water, puddles, splashing, or any other contact with water in the storage area. If the product becomes wet, immediately dry and clean as well as possible. Do not leave the product directly on the floor or ground where it may attract moisture. Store on the shipment's original pallet or on shelves.
- We reserve the right to make changes to our products at any moment without prior warning if, from our point of view, the changes are necessary for the improvement of the product. All illustrations in plans and catalogues are for example only and therefore may differ from the actual product provided.
- Aluminum components can be delivered in different finishes without compromising the structural solution. Available finishes: raw/anodised/lacquered.

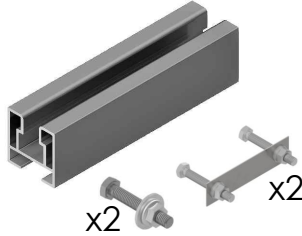




TR66H-EN



S10-EN



G6-1400-EN



Fixing rubber



S13



TG1



2

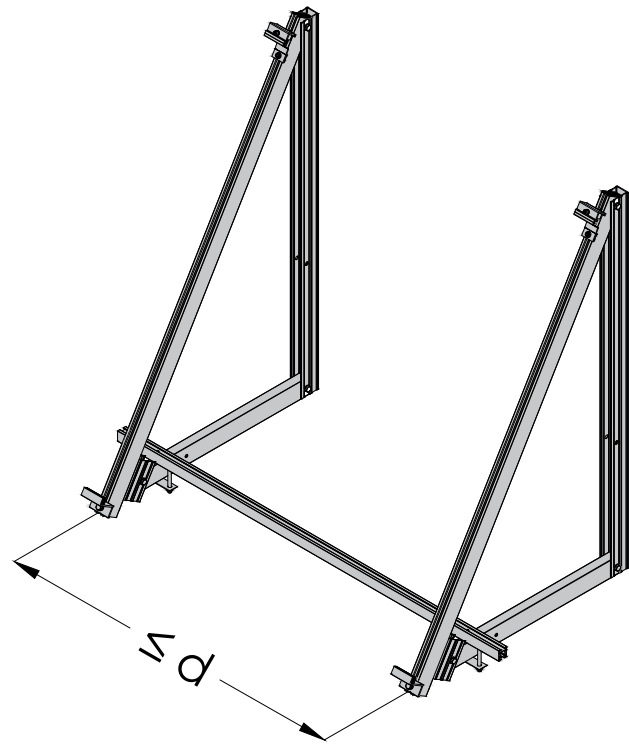
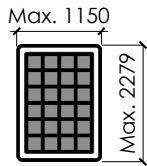
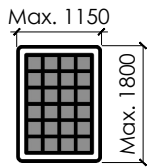
2

2

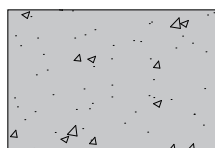
2

2

4



Anchoring surface:



Concrete



EN AW 6005A T6 aluminum profiles



A2-70 stainless steel fasteners

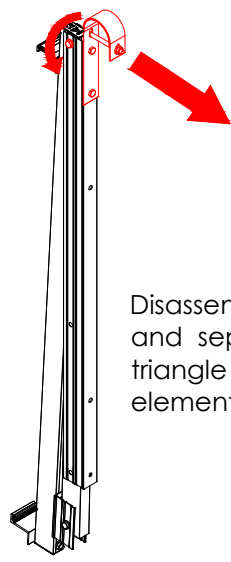


Sunfer reserves the right to make changes to the product and its associated documents at any time. The images in this document are for illustration only and may differ from the products provided.

66H-EN

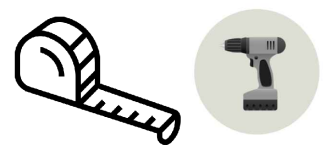
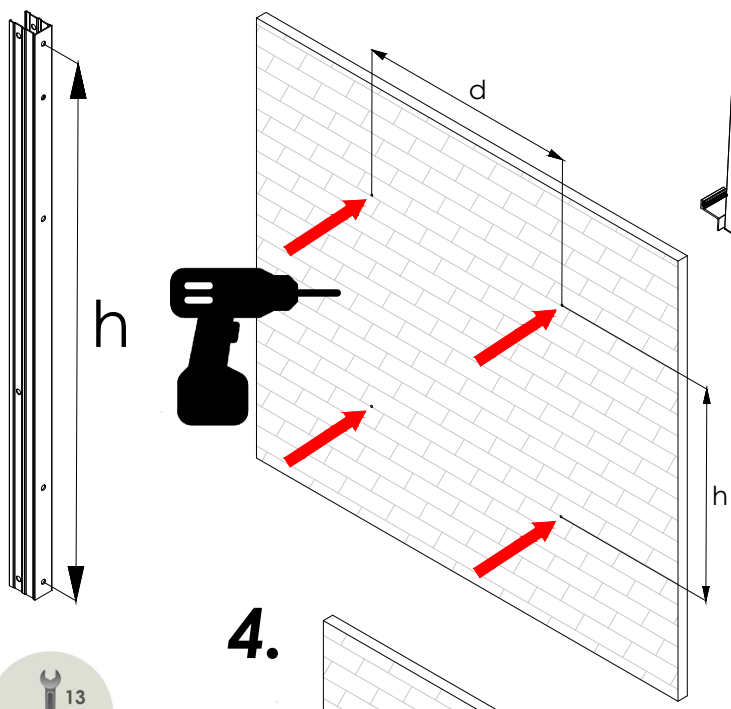
Triangles assembly

1.

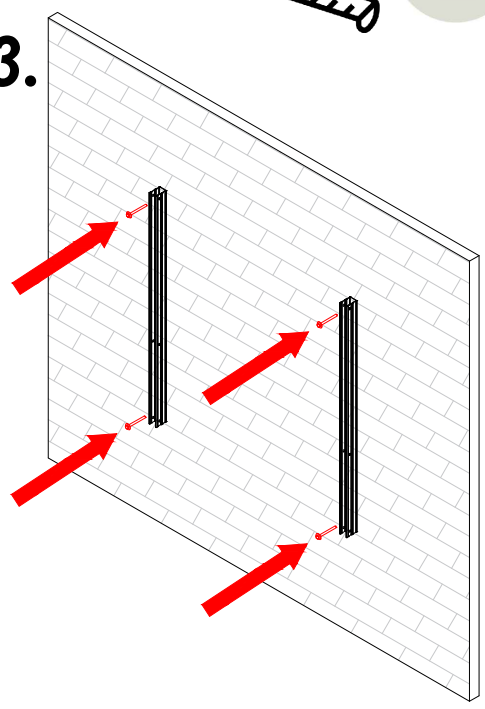


Disassemble the upper hook and separate the base of the triangle from the rest of the elements.

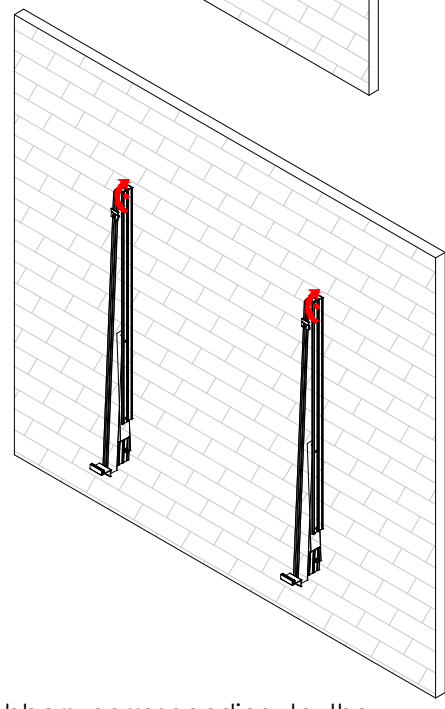
2.



3.

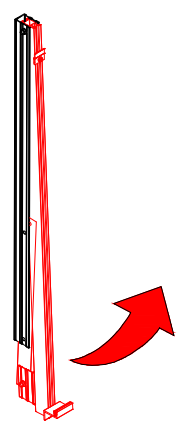


4.

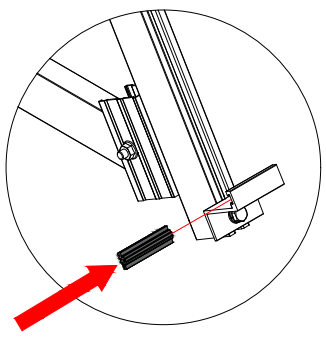


20 Nm

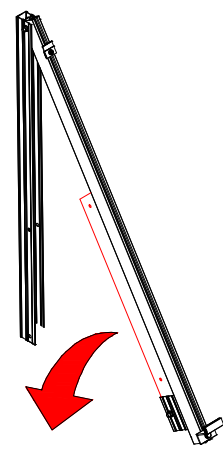
5.



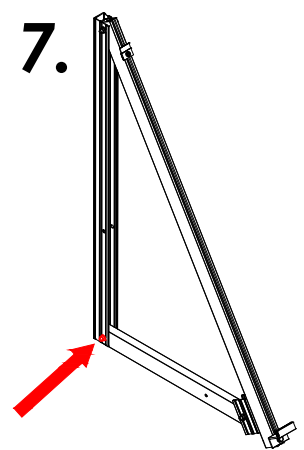
Place the fixing rubbers corresponding to the selected module thickness on the safety clamps. (See detail on module assembly page)



6.

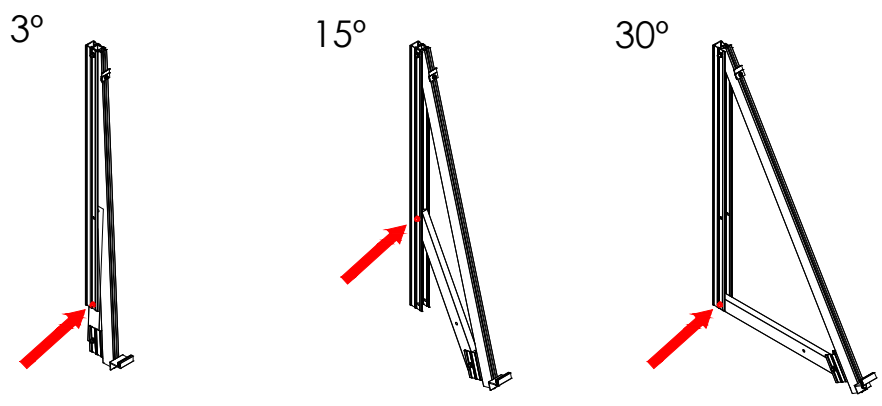


7.

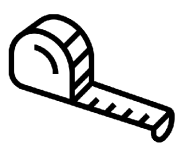


Sunfer reserves the right to make changes to the product and its associated documents at any time. The images in this document are for illustration only and may differ from the products provided.

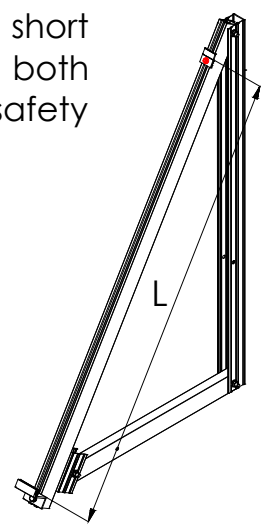
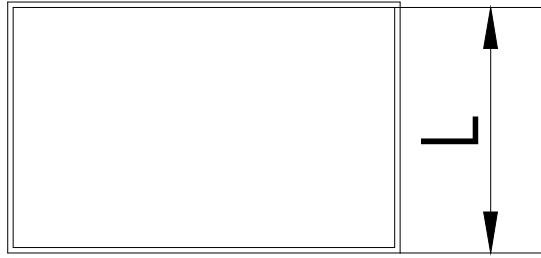
Depending on the desired inclination of the triangle, it must be screwed in a certain position marked by the existing holes in the upright and in the bottom chord.



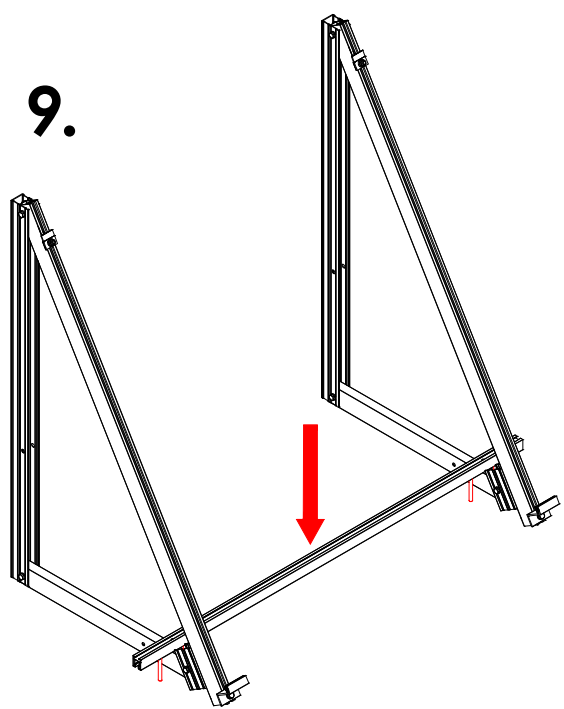
8. Measure the distance between the end of the module and the start of the rear flap of the module on the short side. Then position and tighten the fixing clip on both triangles to the distance obtained from the lower safety clamp.



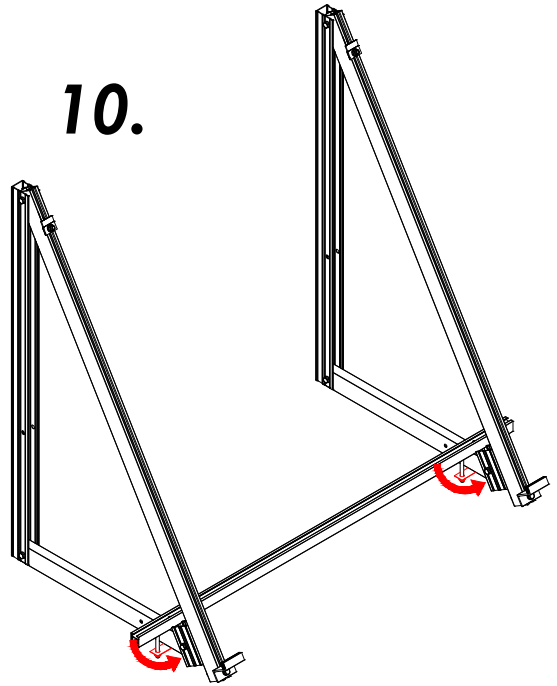
20 Nm



9.



10.



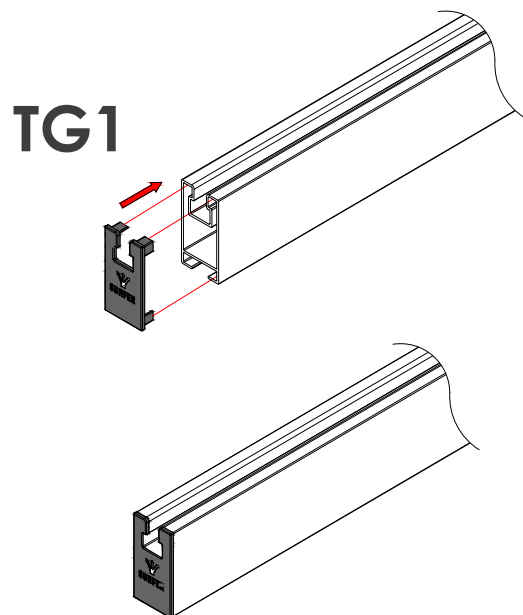
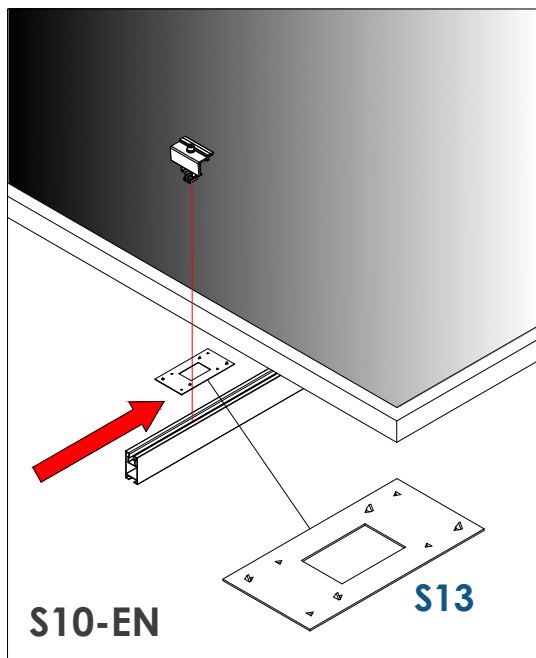
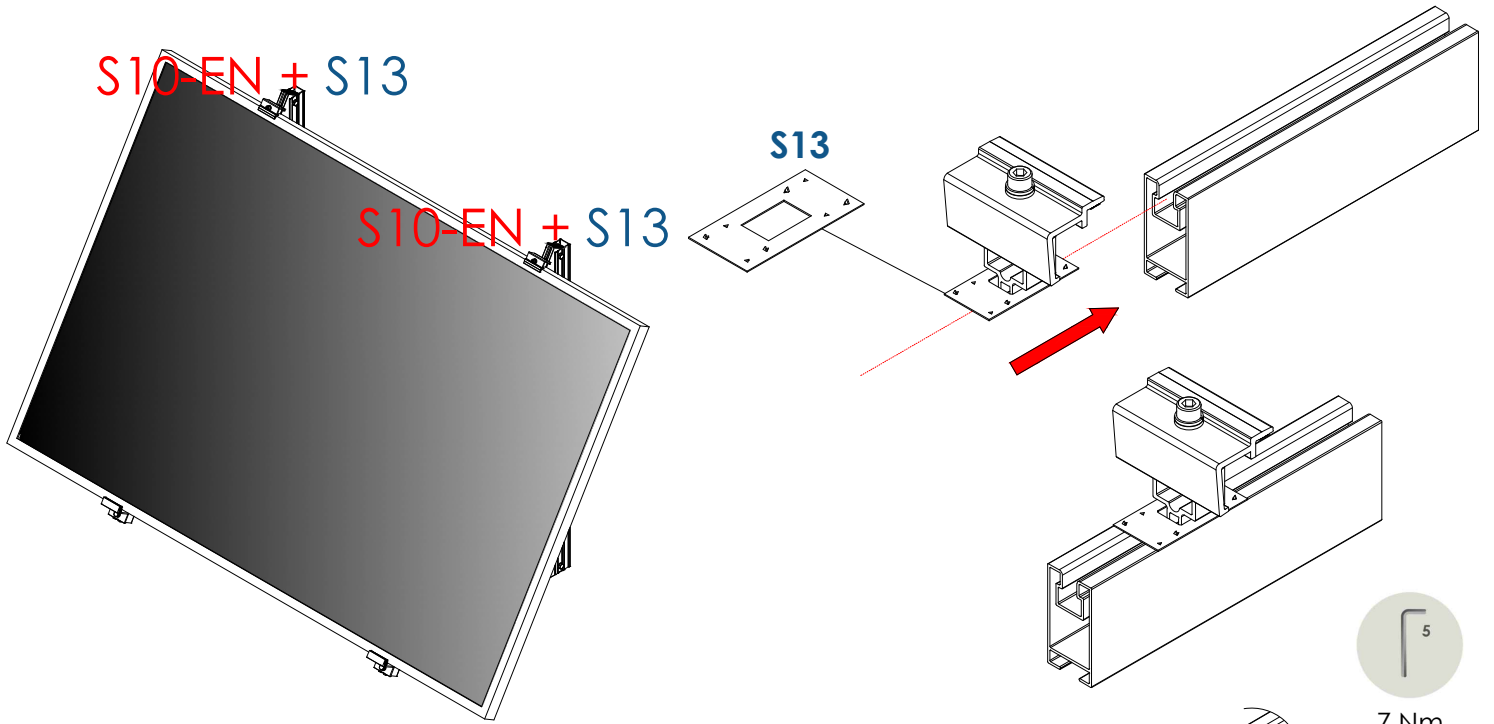
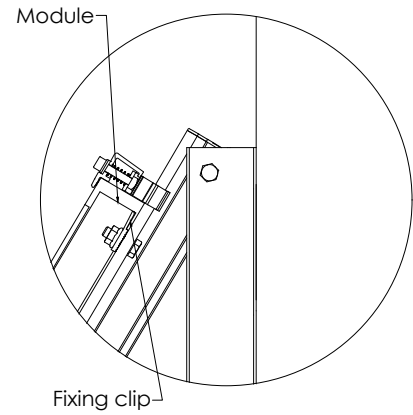
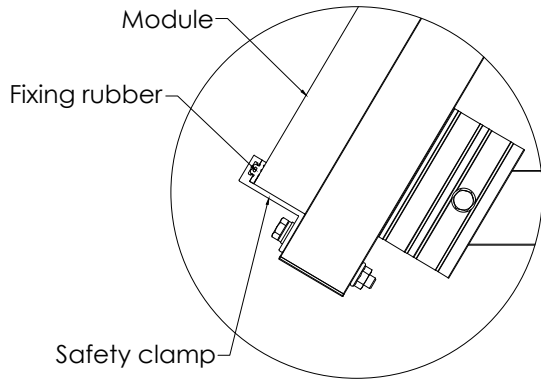
Sunfer reserves the right to make changes to the product and its associated documents at any time. The images in this document are for illustration only and may differ from the products provided.

66H-EN

Module assembly

Anchor detail
module - safety clamp

Anchor detail
module rear fin - fixing clip

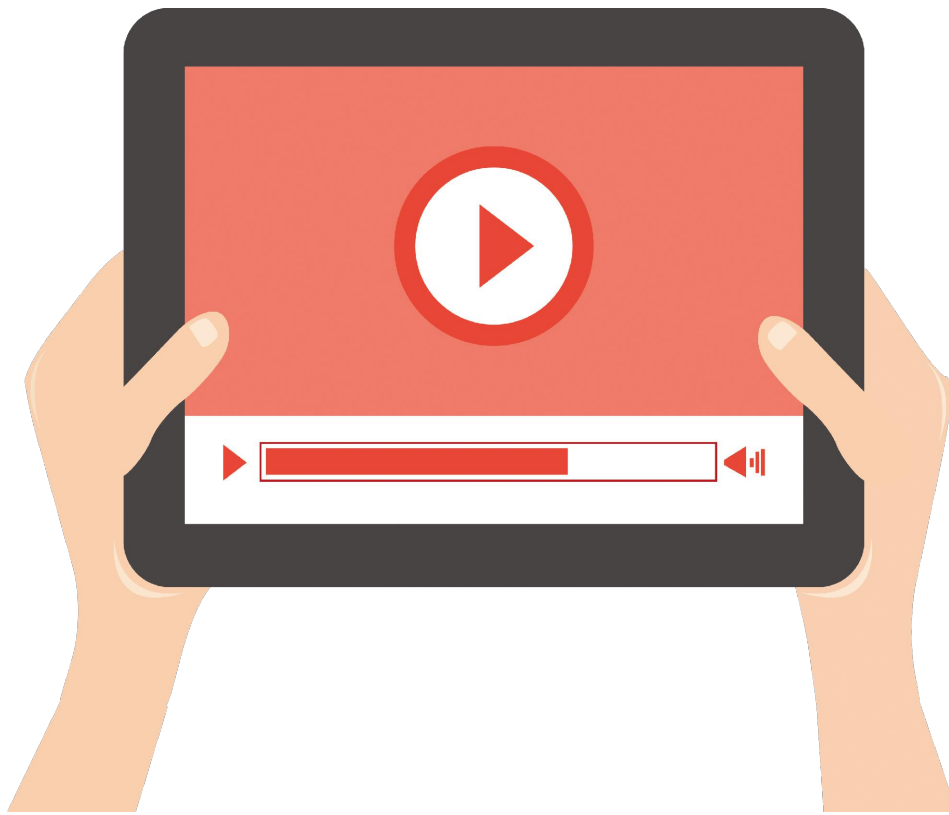


Sunfer reserves the right to make changes to the product and its associated documents at any time. The images in this document are for illustration only and may differ from the products provided.

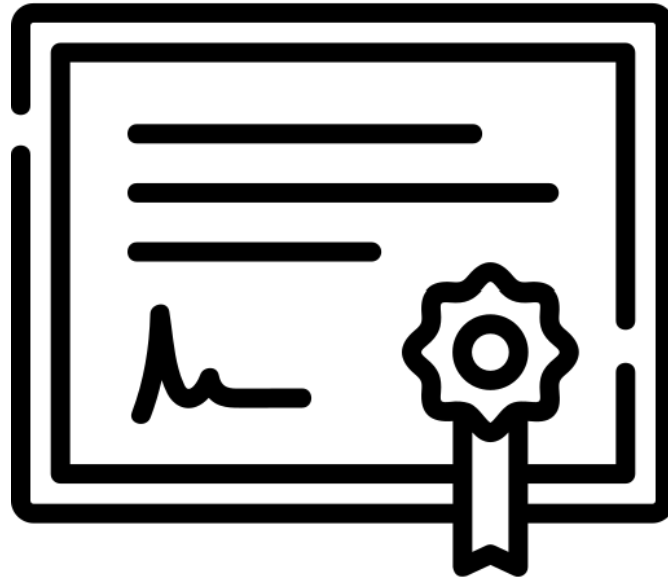


66H-EN

Installation Video



Sunfer reserves the right to make changes to the product and its associated documents at any time. The images in this document are for illustration only and may differ from the products provided.



- ISO 9001 certificate
- ISO 14001 certificate
- CE marking
- Guarantee

Sunfer reserves the right to make changes to the product and its associated documents at any time. The images in this document are for illustration only and may differ from the products provided.



This is a translation of the certificate ES13/13899

The management system of

SUNFER ESTRUCTURAS, S.L.U.

Camí de la Dula, s/n, 46687 Albalat de la Ribera, Valencia

has been assessed and certified as meeting the requirements of

ISO 9001:2015

For the following activities

Design, manufacture and sale of solar energy structures.

This certificate is valid from 19 May 2023 until 8 April 2025 and remains valid subject to satisfactory surveillance audits.

Issue 6. Certified with SGS since 8 April 2013

Last certificate expiry date 8 April 2022

Recertification audit date 31 March 2022

Authorised by _____

SGS International Certification Services Iberica, S.A.U.

C/Trespaderne, 29. 28042 Madrid. España

t +34 91 313 8115 - www.sgs.com



This document is an authentic electronic certificate for Client' business purposes use only. Printed version of the electronic certificate are permitted and will be considered as a copy. This document is issued by the Company subject to SGS General Conditions of certification services available on [Terms and Conditions](#) | [SGS](#). Attention is drawn to the limitation of liability, indemnification and jurisdictional clauses contained therein. This document is copyright protected and any unauthorized alteration, forgery or falsification of the content or appearance of this document is unlawful.





Certificate ES22/211172

The management system of

SUNFER ESTRUCTURAS, S.L.

Camí de la Dula, s/n
46687 Albalat de la Ribera (Valencia)

has been assessed and certified as meeting the requirements of

ISO 14001:2015

For the following activities:

Design, manufacture and sale of solar energy structures.

in/ from the following sites

Camí de la Dula, s/n - 46687 Albalat de la Ribera (Valencia)

This certificate is valid from
22 April 2022 until 22 April 2025.
Issue 1.

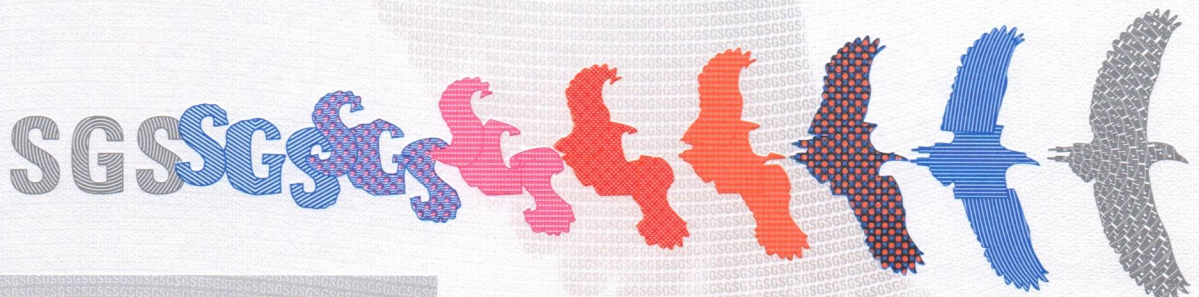


Authorized by

Certification Management

SGS INTERNATIONAL CERTIFICATION SERVICES IBERICA, S.A.U.
C/Trespaderne, 29. 28042 Madrid. España.
t 34 91 313 8115 www.sgs.com

Page 1 of 1



This document is issued by the Company subject to its General Conditions of Certification Services accessible at www.sgs.com/terms_and_conditions.htm. Attention is drawn to the limitations of liability, indemnification and jurisdictional issues established therein. The authenticity of this document may be verified at <http://www.sgs.com/en/certified-clients-and-products/certified-client-directory>. Any unauthorized alteration, forgery or falsification of the content or appearance of this document is unlawful and offenders may be prosecuted to the fullest extent of the law.

Structural and Anticorrosion Guarantee

All SUNFER mounting systems are manufactured under strict production control in our factory, as are our raw materials, which are periodically tested to ensure quality. It is for these reasons we are able to offer the following guarantee for our products:

25 year Structural Guarantee

Anticorrosion Guarantee per the below table

Materials	NON-HARSH environment (1) Distance to coastline greater than 5 Km	HARSH or MARINE environment Distance to coastline less than 5 Km
Raw Aluminum	Fifteen (15) years	Five (5) years
Anodized Aluminum	Twenty-five (25) years	Twenty-five (25) years

Table 1.

(1) Non-exhaustive list of zones considered to be harsh environments:

- a. Industrial zones with emissions that include: sulphur dioxide, nitrogen oxides, sulphuric acid, sulphuric compounds, chlorine, or other volatile gases; 5 km safety distance.
- b. Electric generating stations that use the following fuels: coal, natural gas, petroleum; 5 km safety distance.
- c. Petrochemical plants; 5 km safety distance.
- d. Cellulose factories; 5 km safety distance
- e. Wastewater treatment facilities: 500 m safety distance.

In these zones it is always necessary to utilize anodized aluminum if inside of the minimum safety radius indicated above.

The warranty of the adhesive in reference 07.1H and S07.1 is ten (10) years. The warranty of the 2-sided adhesive tape of the S07.1 anchor covers the product supplied by Sunfer and can be applied provided that the breakage is caused by the tearing off of the profile with respect to the adhesive tape, in the event that the breakage is caused by the tearing off of the adhesive tape from the roofing, it will be considered a faulty assembly on site.

Mixed galvanised steel and raw aluminium supports such as, for example: Elevated, Monopoles, Car parks:
Environments C3 fifteen (15) years guarantee.
Environments C4-C5 five (5) years.

Mixed galvanised steel and anodised aluminium supports, such as: Elevated, Monopoles, Car parks:
Environments C3 guarantee twenty-five (25) years.
Environments C4-C5 fifteen (15) years.

This guarantee applies to orders supplied from 3rd January, 2023 on. Orders delivered before this date shall be governed by the guarantee that was in force at the time that the order was supplied.

The guarantee covers the final installation, and applies directly to the end user of the structure. Guarantees are managed between SUNFER and commercial distributors, so if an end user needs to invoke a guarantee, they must contact the distributor that supplied the material, and the distributor will coordinate with SUNFER Customer Service. The period of coverage of the guarantee begins upon the date that the delivery of the material is received by the end user, but will be repealed if the client does not comply with the payment terms stated in the invoice.

To invoke the guarantee, the following documentation must be produced:

- Sales invoice.
- Date system was put in service.
- Information of end user (name, address, distributor, etc).
- General photographs showing the entire system as installed.
- Installer's final work plans/drawings.
- Detailed photos of:
 - Fastening of the system to the roof, which shows the distance between mounting points.
 - The structure mounted without panels attached.
 - A rear view of the structure (from roof ridge if coplanar).





- Plan/drawing of the affected area which shows distances between mounting points.

Coverage and Exclusions

Coverage

This guarantee covers the replacement and shipping of the defective components or of the entire system if necessary, with no charge. In the case of a replacement not being available, a suitably similar replacement will be provided.

The guarantee is limited to replacement of defective products. The following costs, indirectly associated with the return process, will not be compensated: disassembly or any consequential, supplementary, or related damages, including lost profits or other indirect costs.

The guarantee covers all metallic elements included in a SUNFER structure.

Exclusions

Any issues or defects caused by or related to the following shall be excluded from the guarantee:

- Inadequate installations which did not follow the installation instructions provided by SUNFER.
- Incorrect fastener tightening torques (overtight or undertight).
- Modifications or installations other than those recommended by SUNFER.
- Installation of additional homemade or third-party elements to the structures supplied by SUNFER.
- Inadequate handling of products during the installation.
- Damage to the product after delivery, or from improper storage of the product.
- Any defect which is purely aesthetic in nature and which does not affect the structural safety of the product.
- Installations in areas whose wind and snow loads exceed those indicated in the datasheets of the product.
- Structures installed outside of the safe zone indicated in the installation manual.
- Inadequate maintenance. See the Maintenance Manual.
- Fires or exposure to temperatures above 110 °C.
- Problems or defects caused by corrosive agents not initially considered (1).
- Natural disasters such as earthquakes, hurricanes, floods, tornados, cyclones, mudslides, avalanches, or volcanic eruptions.

For structures not provided with a method of fastening to a surface, SUNFER denies responsibility in the event of collapse or failure due to insufficient fastening or poor installation.

Guarantor, Execution of guarantee

The guarantor is SUNFER ESTRUCTURAS S.L.U. located at Camino de la Dula s/n 46687, Albalat de la Ribera, Valencia, Spain.

The entitlements afforded by this guarantee are non-transferable to third parties.

Regarding the guarantee and any disputes related to it, the law currently in force in Spain shall apply.



ES22/211172 ES13/13899

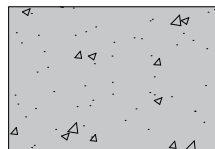
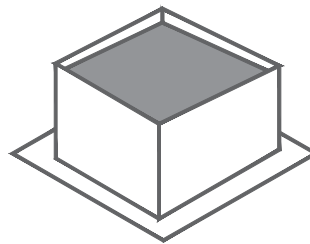
SUNFER

Solar Mounting Systems

66H-EN



Flat roof



Concrete



Return

CONTENTS

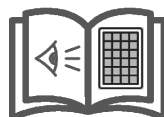
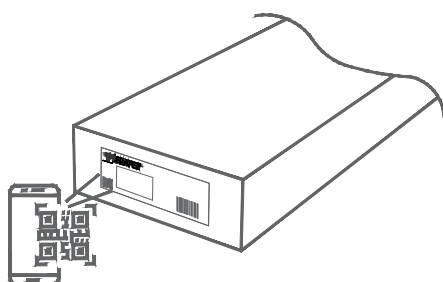
1. **General information**
2. **Kit contents**
3. **Triangle assembly**
4. **Maximum admissible loads**
5. **Assembly video**
6. **Certificates and guarantee**

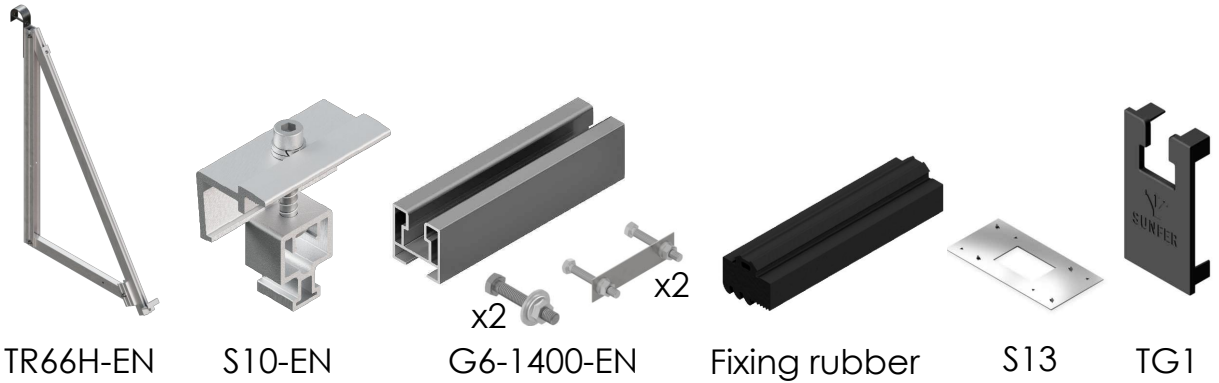




General information and recommendations **ENG**

- All installation instructions and product specifications provided must be adhered to.
- Check the façade's condition and its carrying capacity. The photovoltaic installation's facultative management must guarantee beforehand that the installation surface, as well as the building's static, can resist the additional loads originated by the installation.
- The surface must be clean and dry. Any irregularities must be corrected or eliminated.
- Check the weathertightness of the mount once fastened.
- Place solar panels such that they are distributed symmetrically along the support, leaving equal overhangs at each end.
- Clamps must not be tightened using impact drivers.
- Check that the support attachment points are compatible with the solar panel manufacturer's specifications.
- Uninstallation must be carried out in reverse order from the installation.
- During the shipping of products take extreme care to maintain the integrity of the packaging. Store in a dry, well-ventilated area. Minimize exposure to large temperature differences and humidity. Avoid outdoor storage. Avoid sources of dripping water, puddles, splashing, or any other contact with water in the storage area. If the product becomes wet, immediately dry and clean as well as possible. Do not leave the product directly on the floor or ground where it may attract moisture. Store on the shipment's original pallet or on shelves.
- We reserve the right to make changes to our products at any moment without prior warning if, from our point of view, the changes are necessary for the improvement of the product. All illustrations in plans and catalogues are for example only and therefore may differ from the actual product provided.
- Aluminum components can be delivered in different finishes without compromising the structural solution. Available finishes: raw/anodised/lacquered.





TR66H-EN

S10-EN

G6-1400-EN

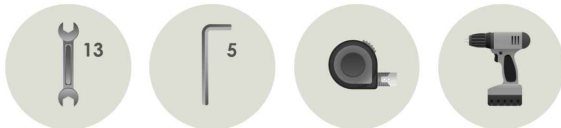
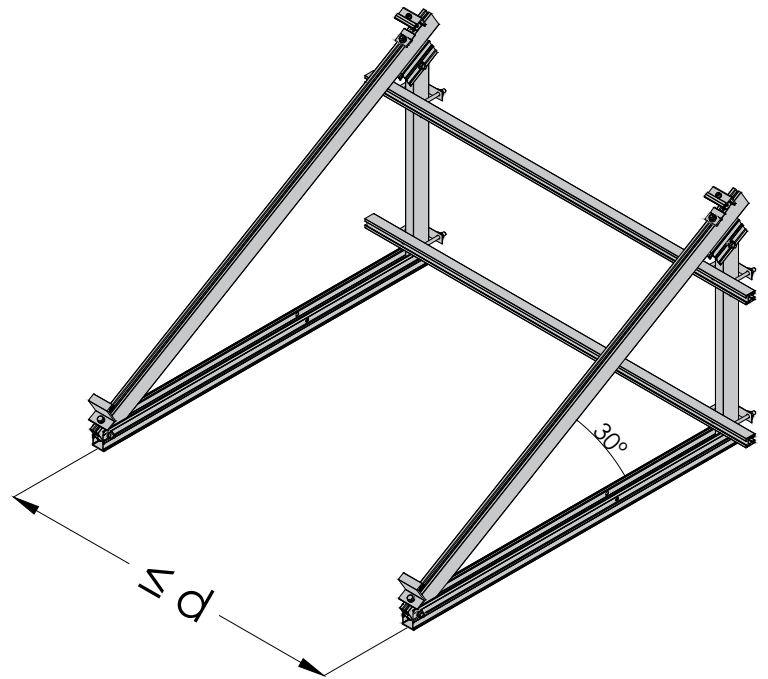
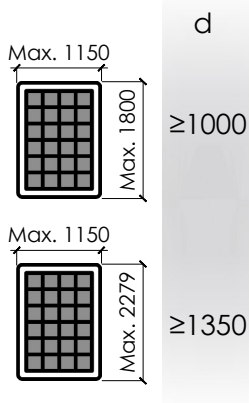
Fixing rubber

S13

TG1



2	2	2	2	2	4
---	---	---	---	---	---



Anchoring surface:



Concrete



EN AW 6005A T6 aluminum profiles



A2-70 stainless steel fasteners

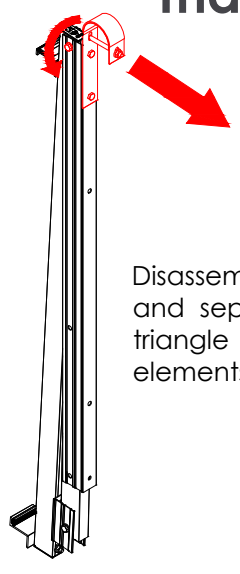


Sunfer reserves the right to make changes to the product and its associated documents at any time. The images in this document are for illustration only and may differ from the products provided.

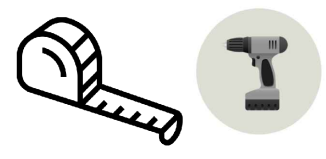
66H-EN

Triangles assembly

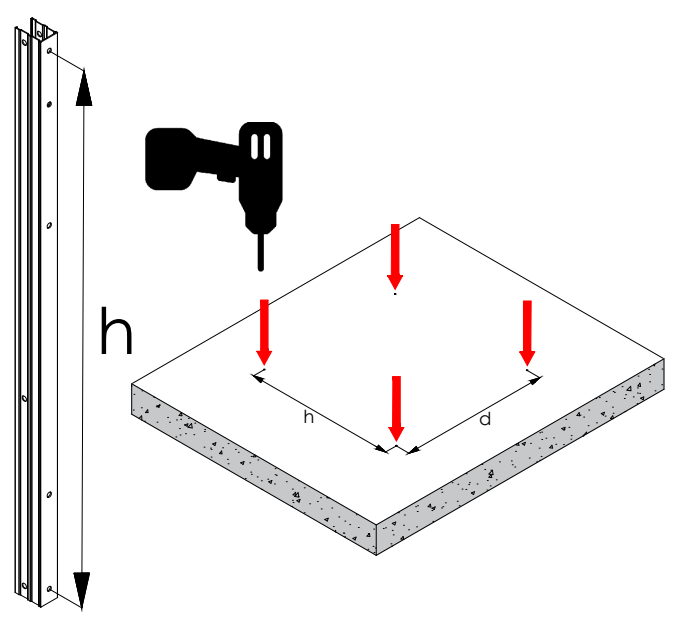
1.



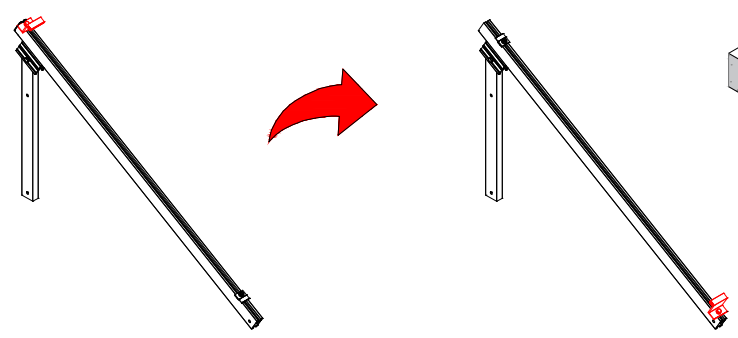
Disassemble the upper hook and separate the base of the triangle from the rest of the elements.



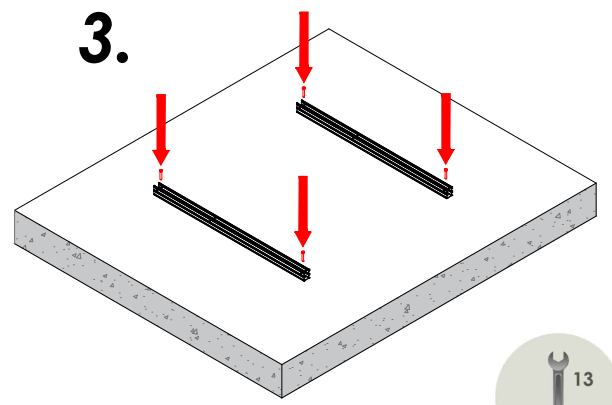
2.



Invert the position of the safety clamp and the fixing clip on the upper cord of the triangle.

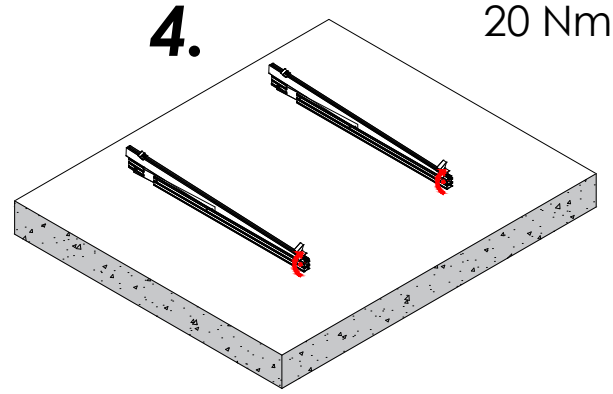


3.

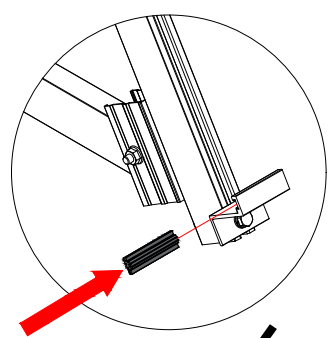


20 Nm

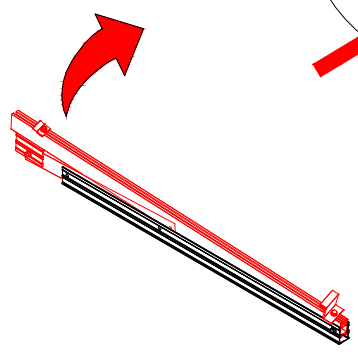
4.



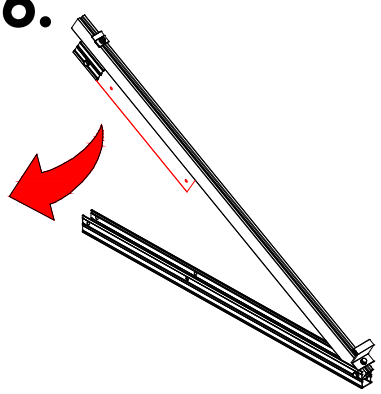
Place the fixing rubbers corresponding to the selected module thickness on the safety clamps. (See detail on module assembly page)



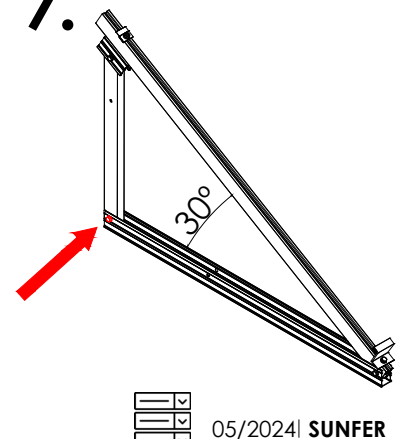
5.



6.

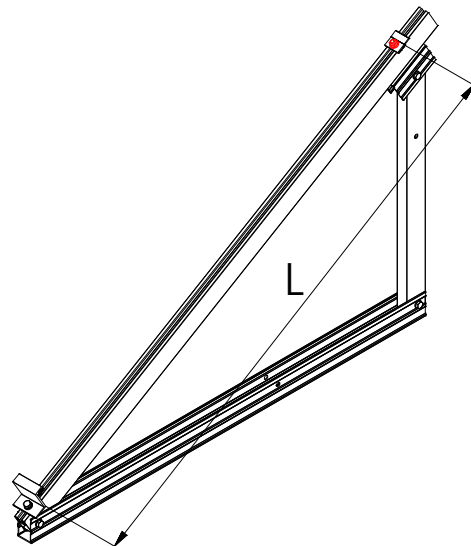
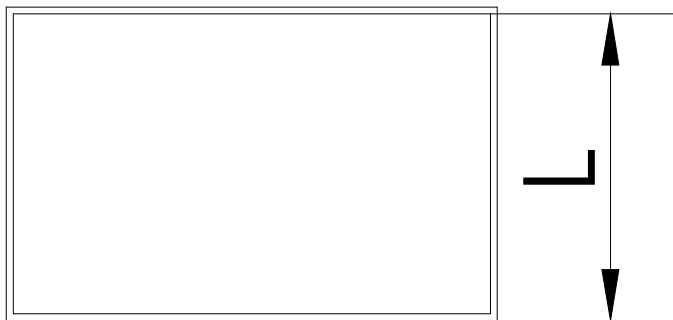


7.

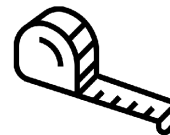
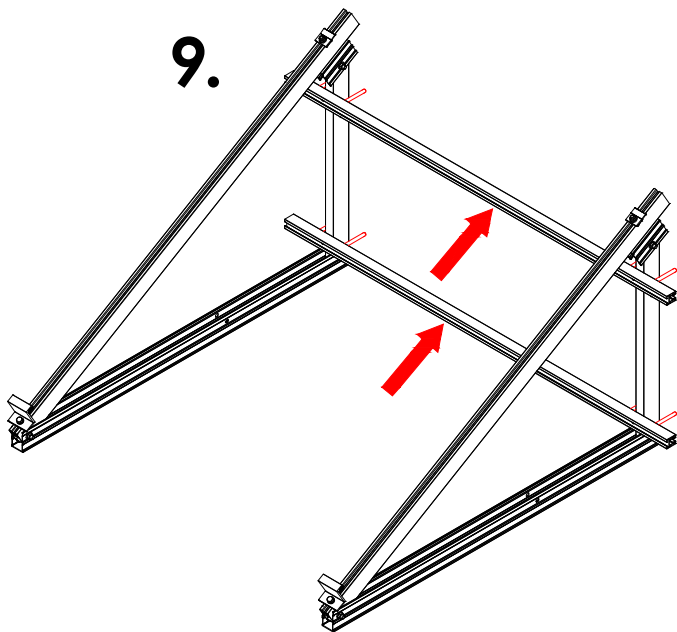


Sunfer reserves the right to make changes to the product and its associated documents at any time. The images in this document are for illustration only and may differ from the products provided.

- 8.** Measure the distance between the end of the module and the start of the rear flap of the module on the short side. Then position and tighten the fixing clip on both triangles to the distance obtained from the lower safety clamp.

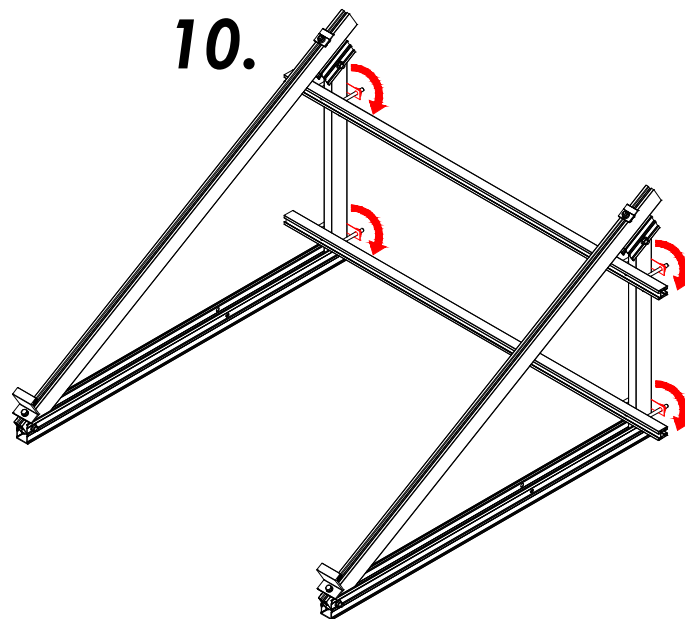


9.

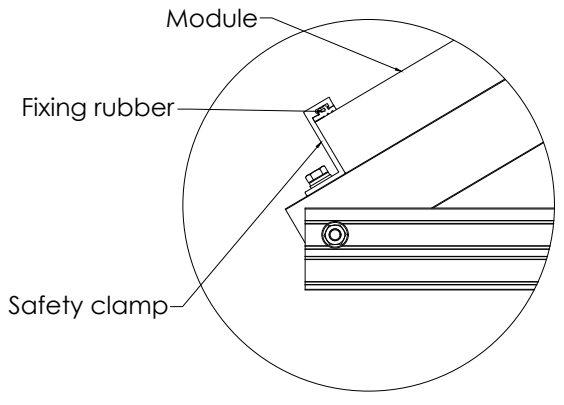


20 Nm

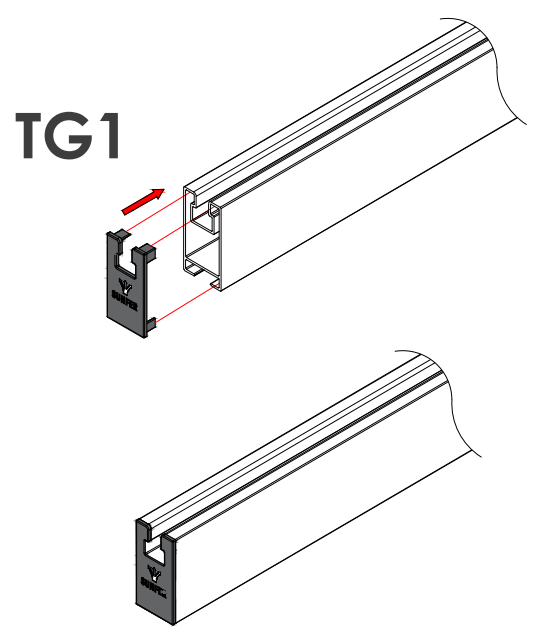
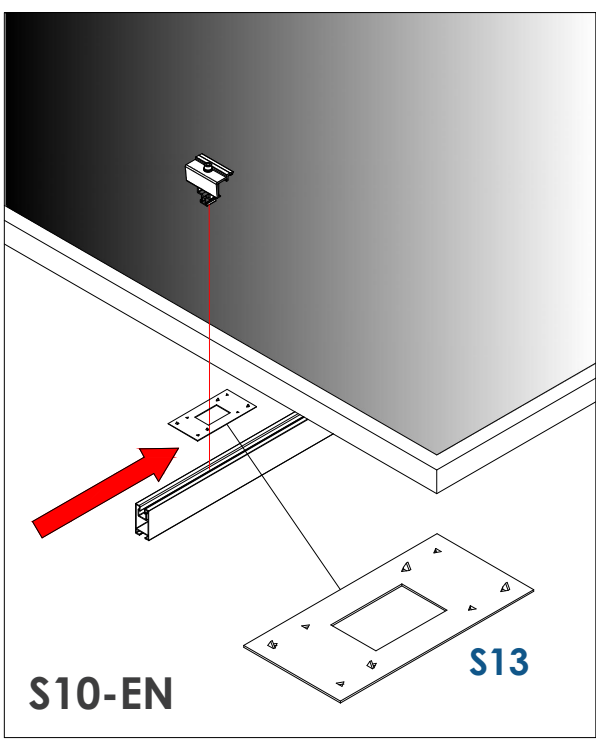
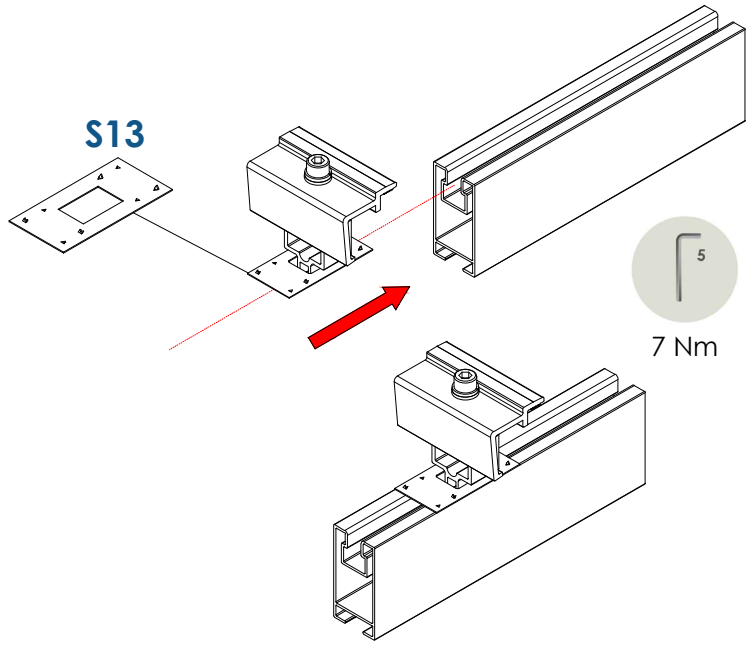
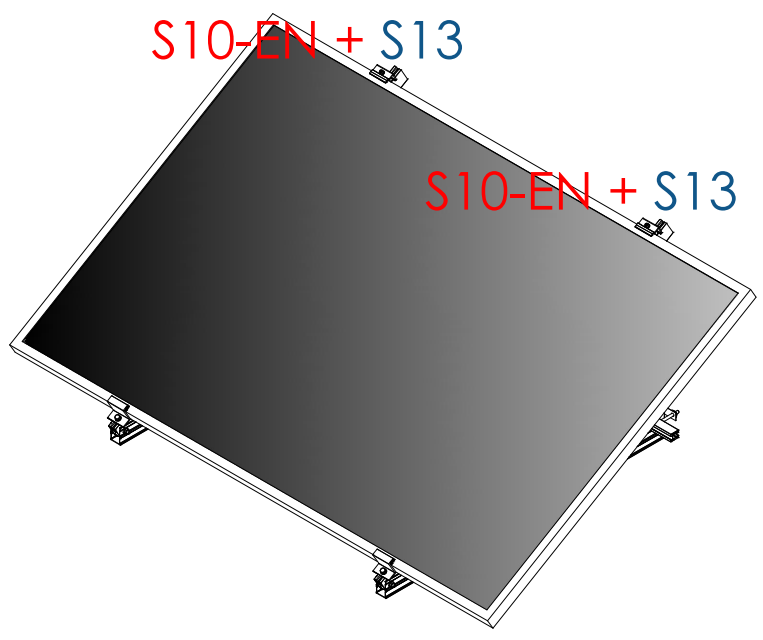
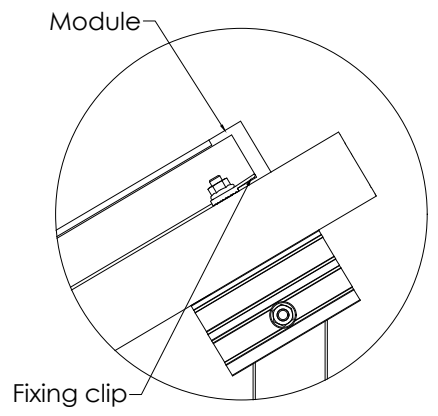
10.



Anchor detail
module - safety clamp



Anchor detail
module rear fin - fixing clip

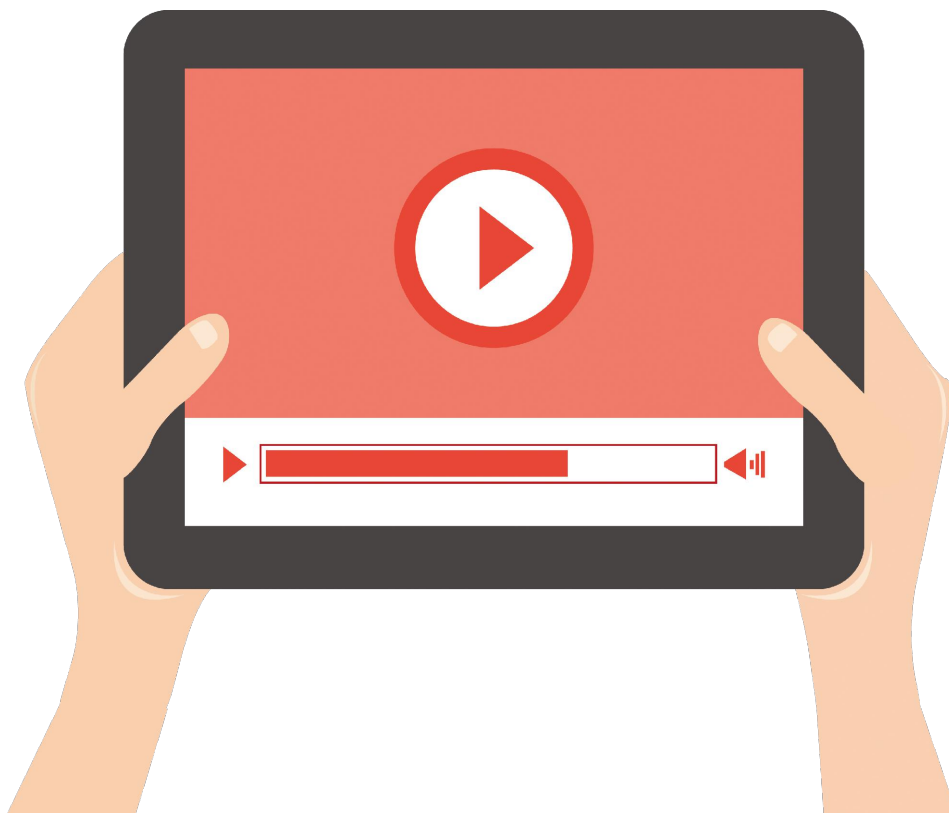


Sunfer reserves the right to make changes to the product and its associated documents at any time. The images in this document are for illustration only and may differ from the products provided.



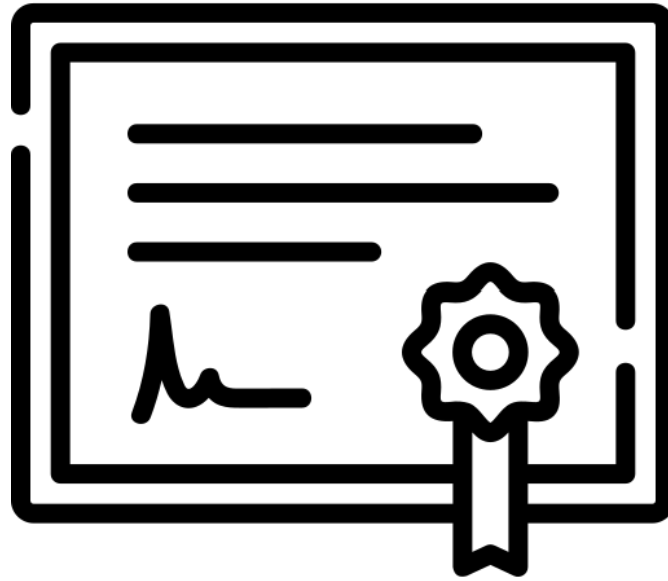
66H-EN

Installation Video



Sunfer reserves the right to make changes to the product and its associated documents at any time. The images in this document are for illustration only and may differ from the products provided.





- ISO 9001 certificate
- ISO 14001 certificate
- CE marking
- Guarantee

Sunfer reserves the right to make changes to the product and its associated documents at any time. The images in this document are for illustration only and may differ from the products provided.

This is a translation of the certificate ES13/13899

The management system of

SUNFER ESTRUCTURAS, S.L.U.

Camí de la Dula, s/n, 46687 Albalat de la Ribera, Valencia

has been assessed and certified as meeting the requirements of

ISO 9001:2015

For the following activities

Design, manufacture and sale of solar energy structures.

This certificate is valid from 19 May 2023 until 8 April 2025 and remains valid subject to satisfactory surveillance audits.

Issue 6. Certified with SGS since 8 April 2013

Last certificate expiry date 8 April 2022

Recertification audit date 31 March 2022

Authorised by _____

SGS International Certification Services Iberica, S.A.U.

C/Trespaderne, 29. 28042 Madrid. España

t +34 91 313 8115 - www.sgs.com



This document is an authentic electronic certificate for Client' business purposes use only. Printed version of the electronic certificate are permitted and will be considered as a copy. This document is issued by the Company subject to SGS General Conditions of certification services available on [Terms and Conditions](#) | [SGS](#). Attention is drawn to the limitation of liability, indemnification and jurisdictional clauses contained therein. This document is copyright protected and any unauthorized alteration, forgery or falsification of the content or appearance of this document is unlawful.



The management system of

SUNFER ESTRUCTURAS, S.L.

Camí de la Dula, s/n
46687 Albalat de la Ribera (Valencia)

has been assessed and certified as meeting the requirements of

ISO 14001:2015

For the following activities:

Design, manufacture and sale of solar energy structures.

in/ from the following sites

Camí de la Dula, s/n - 46687 Albalat de la Ribera (Valencia)

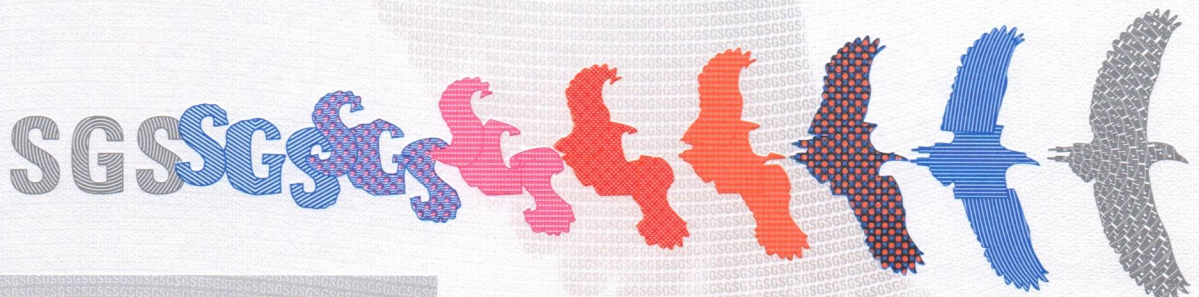
This certificate is valid from
22 April 2022 until 22 April 2025.
Issue 1.



Authorized by

Certification Management

SGS INTERNATIONAL CERTIFICATION SERVICES IBERICA, S.A.U.
C/Trespaderne, 29. 28042 Madrid. España.
t 34 91 313 8115 www.sgs.com



Structural and Anticorrosion Guarantee

All SUNFER mounting systems are manufactured under strict production control in our factory, as are our raw materials, which are periodically tested to ensure quality. It is for these reasons we are able to offer the following guarantee for our products:

25 year Structural Guarantee

Anticorrosion Guarantee per the below table

Materials	NON-HARSH environment (1) Distance to coastline greater than 5 Km	HARSH or MARINE environment Distance to coastline less than 5 Km
Raw Aluminum	Fifteen (15) years	Five (5) years
Anodized Aluminum	Twenty-five (25) years	Twenty-five (25) years

Table 1.

(1) Non-exhaustive list of zones considered to be harsh environments:

- a. Industrial zones with emissions that include: sulphur dioxide, nitrogen oxides, sulphuric acid, sulphuric compounds, chlorine, or other volatile gases; 5 km safety distance.
- b. Electric generating stations that use the following fuels: coal, natural gas, petroleum; 5 km safety distance.
- c. Petrochemical plants; 5 km safety distance.
- d. Cellulose factories; 5 km safety distance
- e. Wastewater treatment facilities: 500 m safety distance.

In these zones it is always necessary to utilize anodized aluminum if inside of the minimum safety radius indicated above.

The warranty of the adhesive in reference 07.1H and S07.1 is ten (10) years. The warranty of the 2-sided adhesive tape of the S07.1 anchor covers the product supplied by Sunfer and can be applied provided that the breakage is caused by the tearing off of the profile with respect to the adhesive tape, in the event that the breakage is caused by the tearing off of the adhesive tape from the roofing, it will be considered a faulty assembly on site.

Mixed galvanised steel and raw aluminium supports such as, for example: Elevated, Monopoles, Car parks:
Environments C3 fifteen (15) years guarantee.
Environments C4-C5 five (5) years.

Mixed galvanised steel and anodised aluminium supports, such as: Elevated, Monopoles, Car parks:
Environments C3 guarantee twenty-five (25) years.
Environments C4-C5 fifteen (15) years.

This guarantee applies to orders supplied from 3rd January, 2023 on. Orders delivered before this date shall be governed by the guarantee that was in force at the time that the order was supplied.

The guarantee covers the final installation, and applies directly to the end user of the structure. Guarantees are managed between SUNFER and commercial distributors, so if an end user needs to invoke a guarantee, they must contact the distributor that supplied the material, and the distributor will coordinate with SUNFER Customer Service. The period of coverage of the guarantee begins upon the date that the delivery of the material is received by the end user, but will be repealed if the client does not comply with the payment terms stated in the invoice.

To invoke the guarantee, the following documentation must be produced:

- Sales invoice.
- Date system was put in service.
- Information of end user (name, address, distributor, etc).
- General photographs showing the entire system as installed.
- Installer's final work plans/drawings.
- Detailed photos of:
 - Fastening of the system to the roof, which shows the distance between mounting points.
 - The structure mounted without panels attached.
 - A rear view of the structure (from roof ridge if coplanar).





- Plan/drawing of the affected area which shows distances between mounting points.

Coverage and Exclusions

Coverage

This guarantee covers the replacement and shipping of the defective components or of the entire system if necessary, with no charge. In the case of a replacement not being available, a suitably similar replacement will be provided.

The guarantee is limited to replacement of defective products. The following costs, indirectly associated with the return process, will not be compensated: disassembly or any consequential, supplementary, or related damages, including lost profits or other indirect costs.

The guarantee covers all metallic elements included in a SUNFER structure.

Exclusions

Any issues or defects caused by or related to the following shall be excluded from the guarantee:

- Inadequate installations which did not follow the installation instructions provided by SUNFER.
- Incorrect fastener tightening torques (overtight or undertight).
- Modifications or installations other than those recommended by SUNFER.
- Installation of additional homemade or third-party elements to the structures supplied by SUNFER.
- Inadequate handling of products during the installation.
- Damage to the product after delivery, or from improper storage of the product.
- Any defect which is purely aesthetic in nature and which does not affect the structural safety of the product.
- Installations in areas whose wind and snow loads exceed those indicated in the datasheets of the product.
- Structures installed outside of the safe zone indicated in the installation manual.
- Inadequate maintenance. See the Maintenance Manual.
- Fires or exposure to temperatures above 110 °C.
- Problems or defects caused by corrosive agents not initially considered (1).
- Natural disasters such as earthquakes, hurricanes, floods, tornados, cyclones, mudslides, avalanches, or volcanic eruptions.

For structures not provided with a method of fastening to a surface, SUNFER denies responsibility in the event of collapse or failure due to insufficient fastening or poor installation.

Guarantor, Execution of guarantee

The guarantor is SUNFER ESTRUCTURAS S.L.U. located at Camino de la Dula s/n 46687, Albalat de la Ribera, Valencia, Spain.

The entitlements afforded by this guarantee are non-transferable to third parties.

Regarding the guarantee and any disputes related to it, the law currently in force in Spain shall apply.



ES22/211172 ES13/13899